

QL1 - SYSTEM

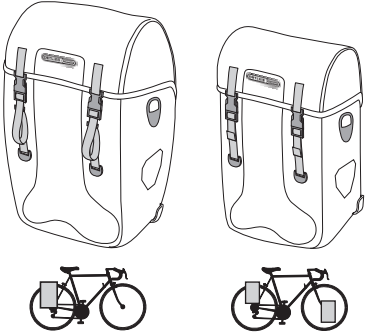

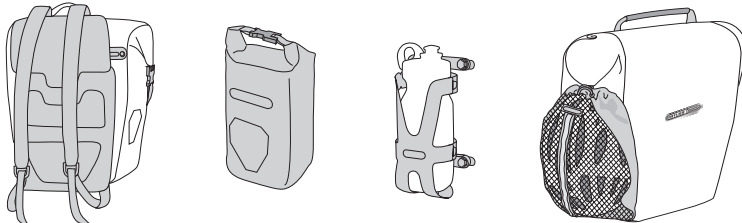


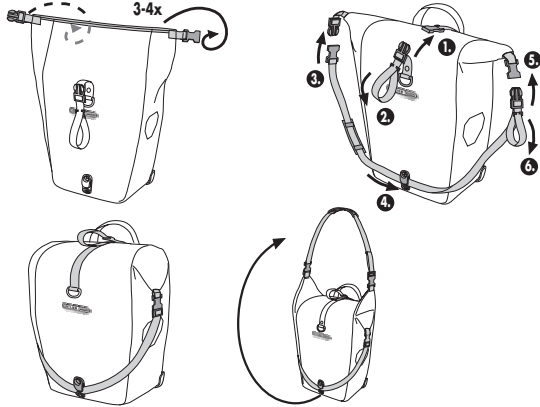
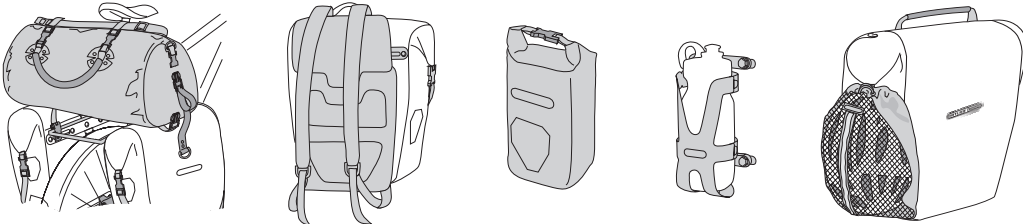

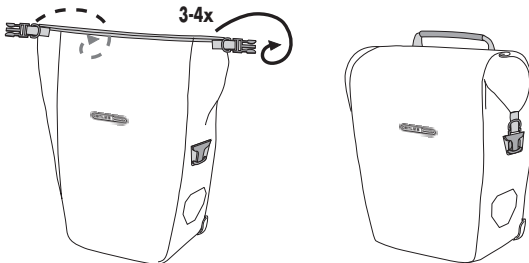
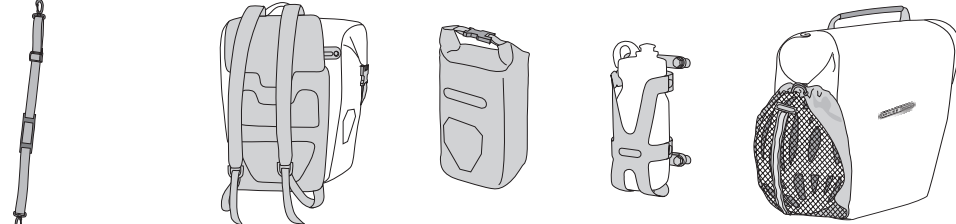
DE MONTAGEANLEITUNG:
 GB ASSEMBLY INSTRUCTIONS:
 FR INSTRUCTIONS DE MONTAGE:

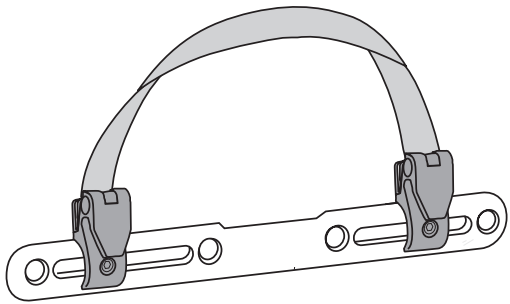
IT ISTRUZIONI DI MONTAGGIO:
 NL MONTAGE HANDLEIDING:
 DK MONTERINGSVEJLEDNING:

ES INSTRUCCIONES DE MONTAJE:
 SE MONTERINGS ANVISNING:
 NO MONTERINGS ANVISNING:

FI ASENNUSOHJEET:
 PL INSTRUKCJA MONTAŻU:
 JP 換気の良い所に保管してください。

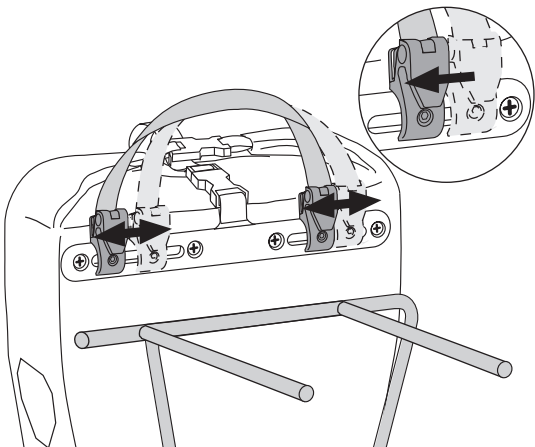


QL1 - MODELS	incl.	⚠	ACCESSOIRES				
<p>Bike-Packer Classic Sport-Packer Classic</p> 			<p>= + Art. #F34 = + Art. #F915 = + Art. #F9101 = + Art. #F9121</p> 				
<p>Back-Roller Classic Front-Roller Classic</p> 		<p>3-4x</p> 	<p>= + Rack-Pack, Size M = + Art. #F34 = + Art. #F915 = + Art. #F9101 = + Art. #F9121</p> 				
<p>Back-Roller City Front-Roller City</p> 		<p>3-4x</p> 	<p>= + E 172 = + Art. #F34 = + Art. #F915 = + Art. #F9101 = + Art. #F9121</p> 				

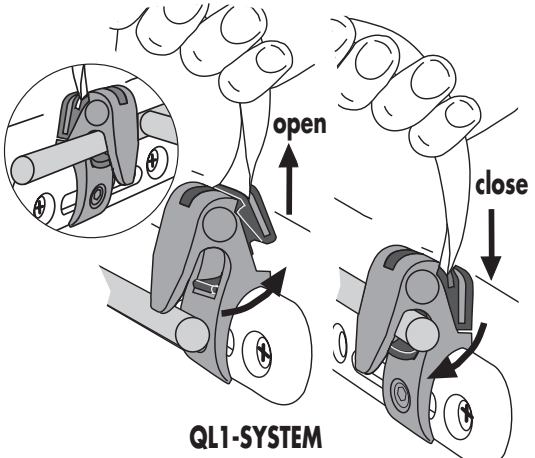


8 = **A** 8 mm 11 = **B** 11 mm

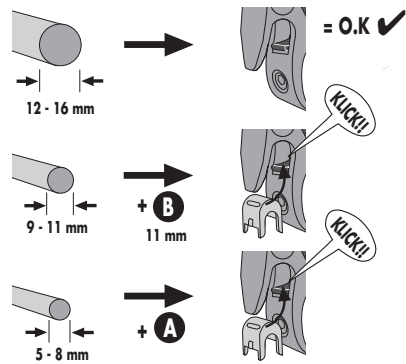
B



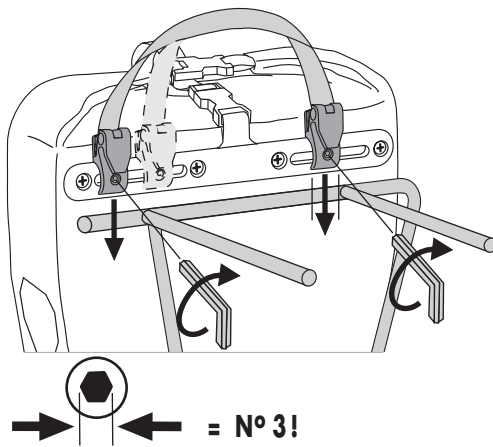
D



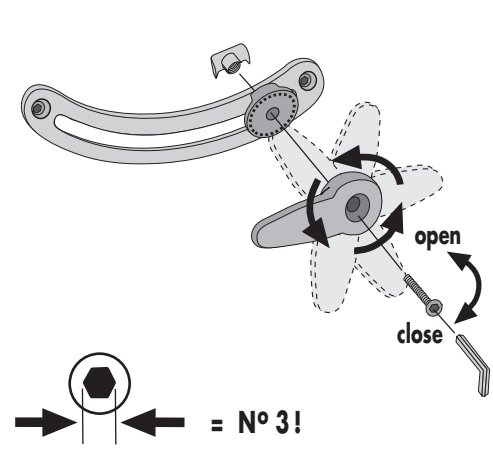
A



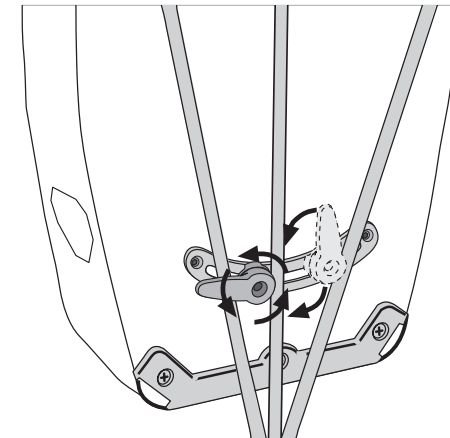
C



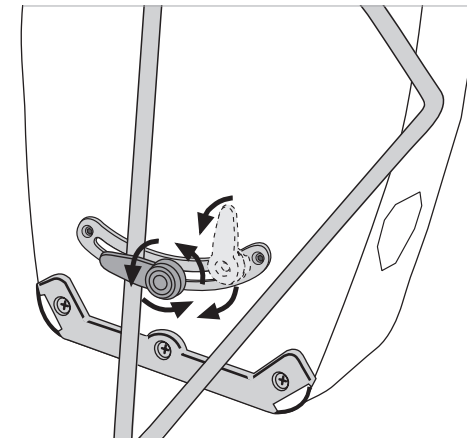
E



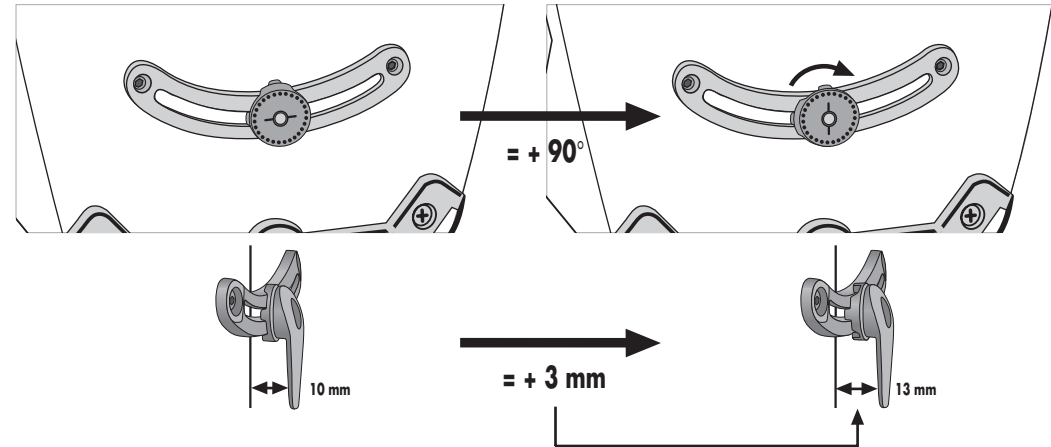
F



G



Option 1



Option 2

