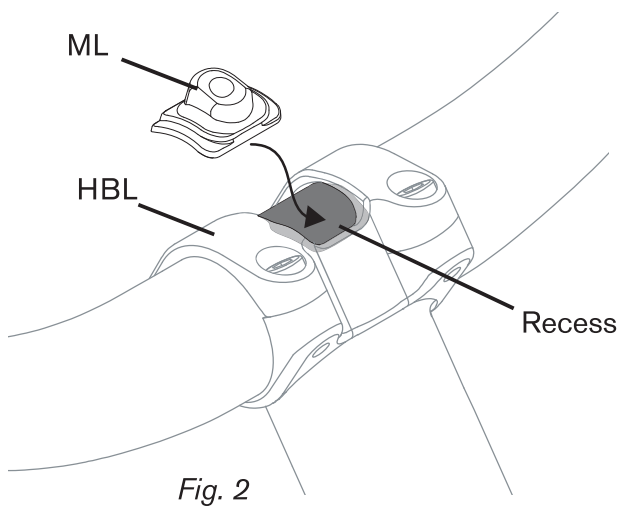
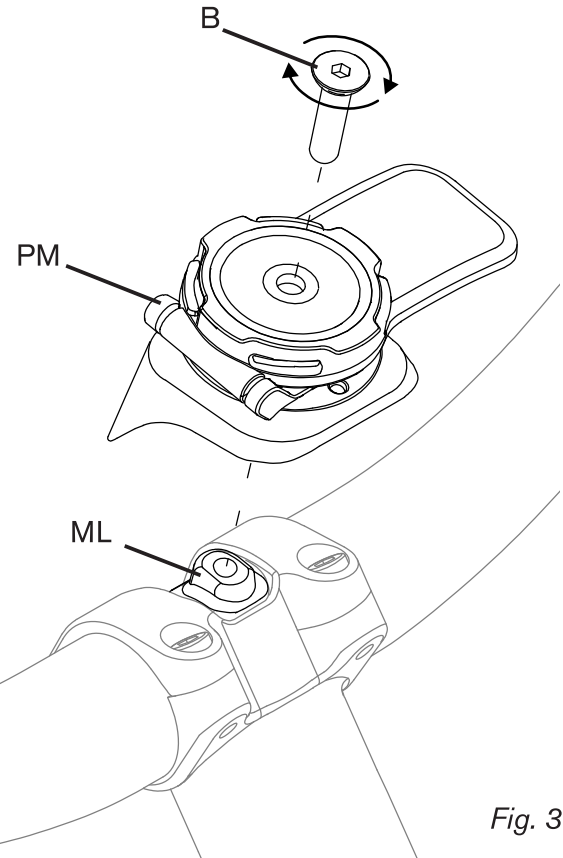
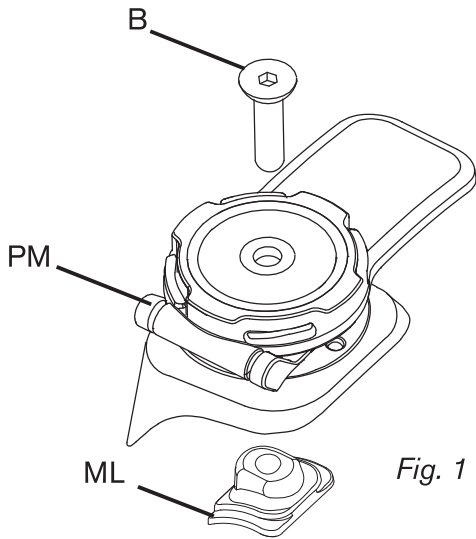


## INTEGRATED PHONE MOUNT FOR G LINE

### IMPORTANT INFORMATION

- Do not loosen or remove the handlebar or handlebar lug HBL to fit the phone mount
- Ensure that the phone is removed before folding the bike
- Do not attach any cables to the phone while it is mounted to the bike as this could cause obstruction
- If you are unsure of the correct fitting process, please consult your Brompton dealer or Brompton Technical Support [support@brompton.co.uk](mailto:support@brompton.co.uk)



### FITTING PROCESS

Disassemble the phone mount PM by unscrewing the bolt B until the mounting lug ML is separated from the Bolt B (fig.1).

Insert the mount ML into this recess of the handlebar lug HBL (fig. 2) ensuring that the ML is securely in the recess as shown (fig. 3).

Fit the Phone mount PM to the mounting lug and tighten the bolt B to 1.5Nm (fig. 3).