

# PRODUCT INFO

## HANDLEBAR-PACK QR

Waterproof handlebar bag with Bar-Lock adapter system



Roll closure  
Closure Hook with CamLock

Mesh outer pocket, on both sides

Compression Straps with CamLock hooks

3M Scotchlite reflector



inner Compression Straps



Side view



Optional accessory:  
Handlebar-Pack QR Inner Pocket (F9924)



Bar-Lock mounting

height cm/in	width cm/in.	depth cm/in.	vol. L/cu.in.	weight g/oz.	max. load kg/lbs.
22/8.7	26/32   10.2/12.6	18/7.1 (24/9.4 incl. adapter)	11/671	530/18.7	5/11.0

### SPECIFICATIONS:

- + Simple, quick installation and removal, thanks to the clever Bar-Lock System
- + Ideal for bike packing
- + Size and shape of the bag is ideal for use with drop handlebars
- + Easy top-loading access with roll closure
- + Lightweight, robust PU-coated nylon fabric
- + 2 mesh outer pockets for food or quick access items
- + 2 compression straps with CamLock hooks
- + 2 additional inner compression straps
- + Reflective ORTLIEB logo and diamond-shaped 3M Scotchlite reflector
- + Optional zipped inner pocket (sold separately)

**Contents:** Handlebar-Pack QR with Bar-Lock mounting system

**Optional accessory:** Handlebar-Pack QR Inner Pocket (Art.No. F9924)

#### Attention:

- + Not suitable for carbon handlebars!
- + If the product is completely submerged, water can penetrate through the closure

**Note:** In order to meet standard IP64 (6=dustproof, 4=protected against splash water coming from all directions) the closure must be rolled 3-4 times.



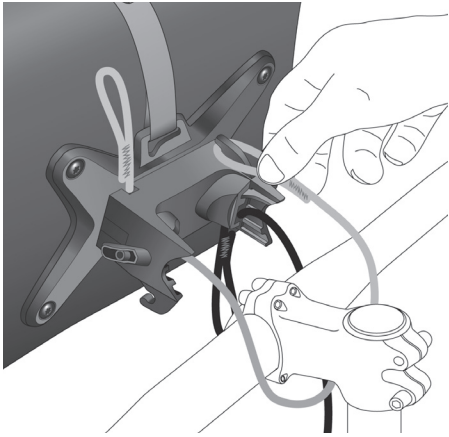
# PRODUCT INFO



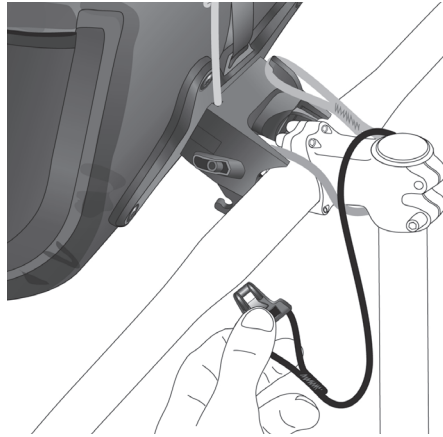
## HANDLEBAR-PACK QR

Waterproof handlebar bag with Bar-Lock adapter system

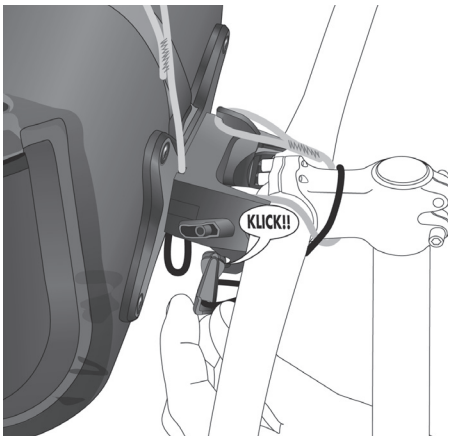
### SHORT ASSEMBLY INSTRUCTIONS:



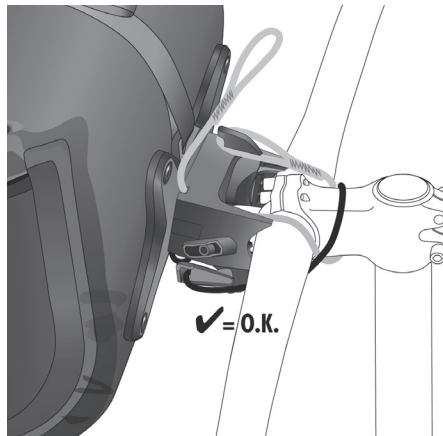
1.



2.



3.



4.

**Attention:** For more detailed information on mounting, please see the instructions!

### MEASUREMENTS IN DETAIL:



Dimensions in cm/in.; shown handlebar width 40cm/15.7in.

