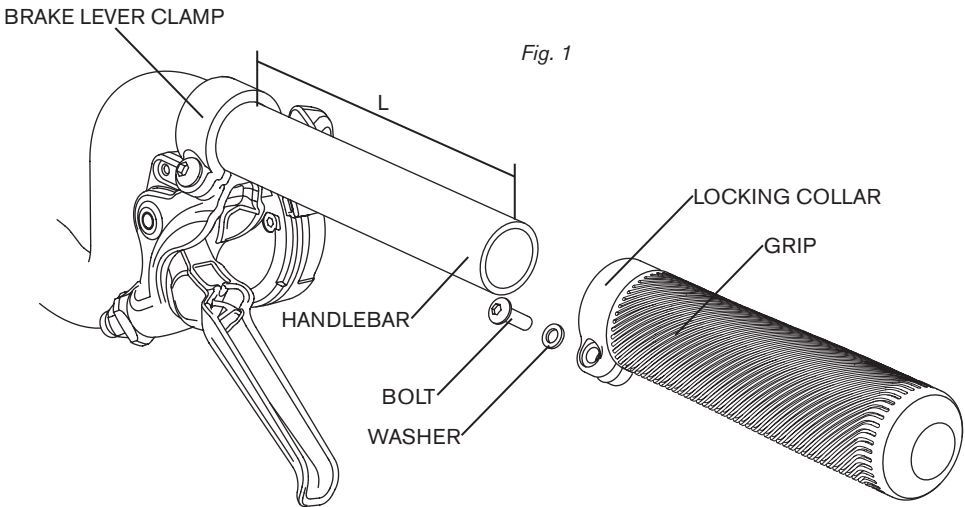


## BROMPTON LOCK ON GRIPS

### FEATURES

- Fitted to all M, H & S-Type bikes from 2017 onwards
- Easy to fit and remove with a 2.5mm hex key
- From 42g a pair for the superlight version and 102g a pair for the standard version
- No glue required
- Lightweight foam version used on Superlight bikes from MY18
- Textured rubber version used on standard bikes for MY18



### FITTING

Before fitting make sure the handlebar is clean and dry and that it is free from damage. Check that there is enough length (L) on the handlebar (fig. 1) for the grip to fully engage, without the locking collar bottoming out on the brake lever clamp.

The grips are left and right hand specific and should be fitted as shown (fig. 1) with the clamp bolt head adjacent to the brake lever clamp bolt. The clamp bolt should be tightened to **1.5Nm**. Ensure that the grips are properly installed and cannot twist or slide on the bar before using the bike.

The grips can easily be removed by loosening the clamp bolt and sliding off the handlebar.

These grips are only compatible with S-Type handlebars, and M/H-Type bars from 2017 onwards.

**NOT COMPATIBLE WITH PRE-2017 M/H-TYPE HANDLEBARS OR P-TYPE HANDLEBARS**

