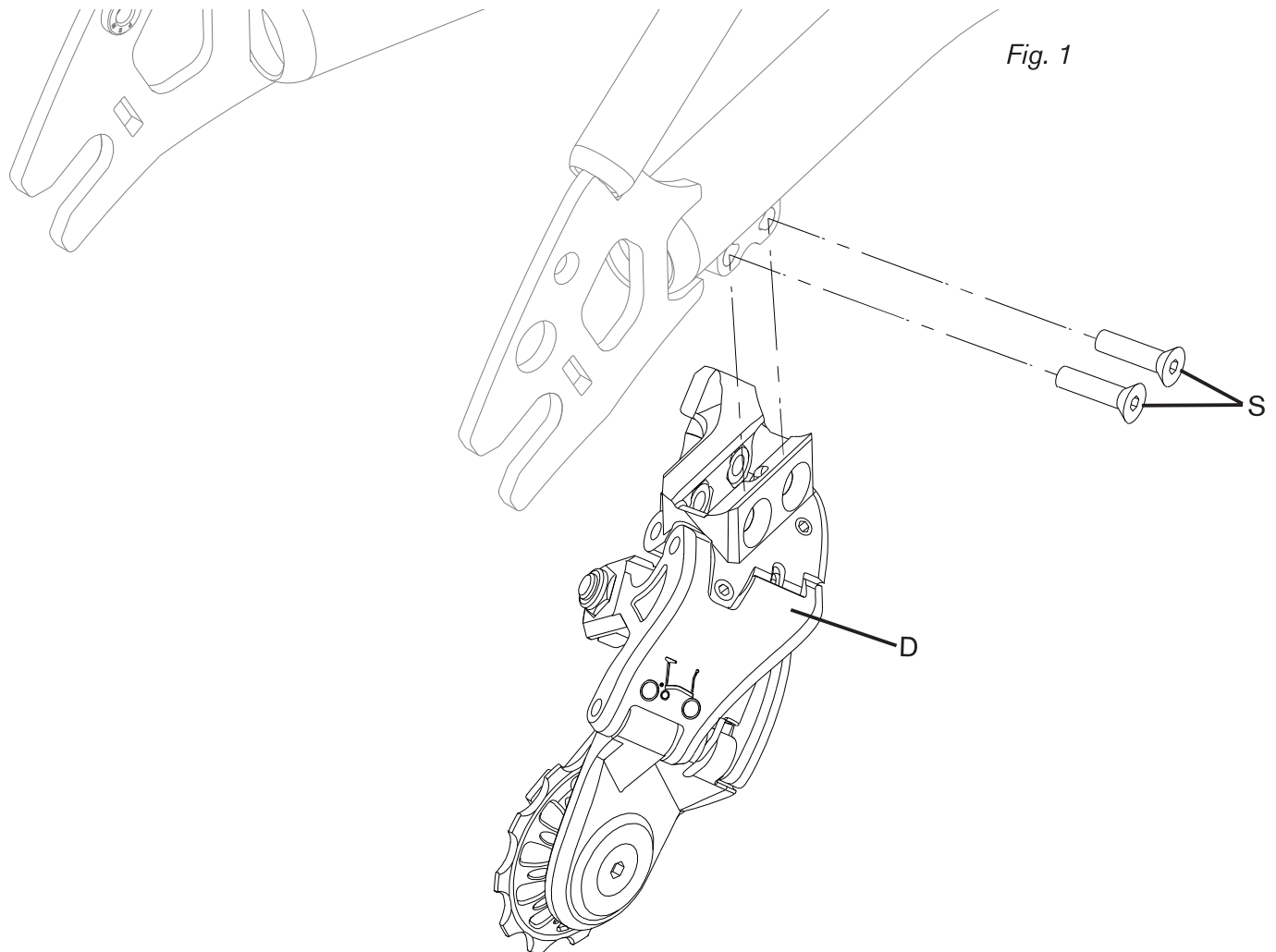


ADVANCE 4 SPEED DERAILLEUR

IMPORTANT INFORMATION

- It is vital that you follow the correct fitting procedure and tighten all fixings correctly
- If you are unsure of the correct fitting process please consult your Brompton dealer or Brompton Customer Service support@brompton.co.uk



REMOVAL

To remove the derailleur D (fig. 1), disengage the chain tensioner and remove the wheel to create space. Locate the connecting link on the chain. Using a chain link tool, open the link to remove the chain. Remove the two mounting screws S using a 4mm hex key to remove the derailleur.

FITTING

To mount the derailleur, fit the derailleur in position and insert both mounting screws. Tighten to 2Nm. Once the derailleur is mounted and tightened to the correct torque, refit the chain by routing it through the derailleur in the correct format, and then fit the connecting link.

