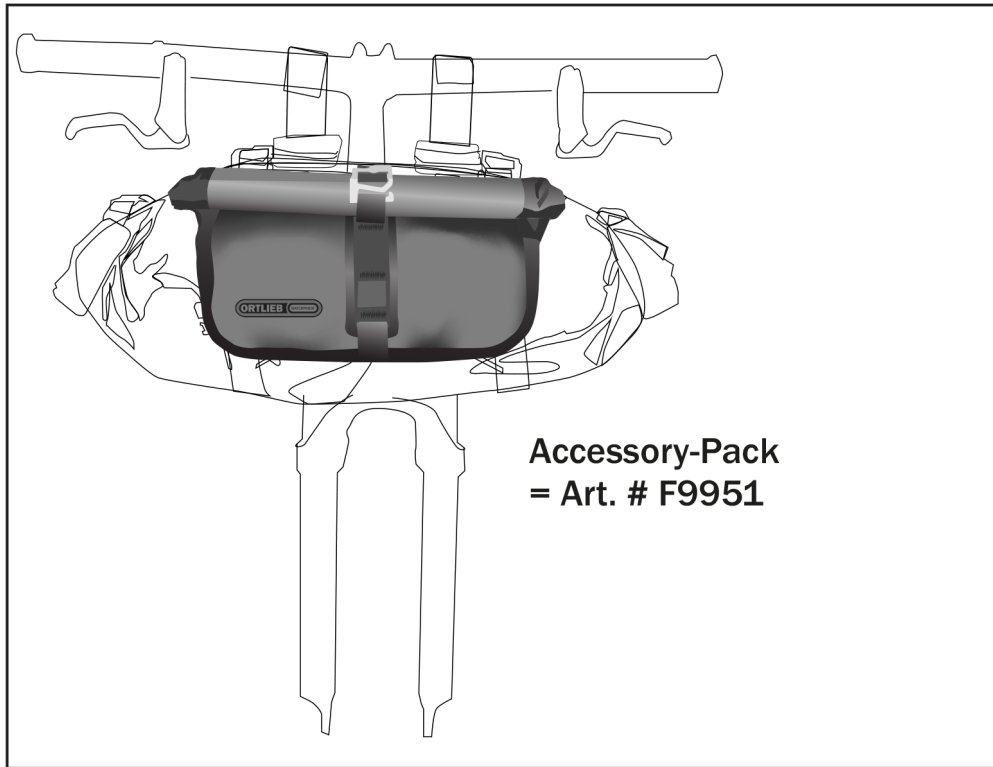


## ACCESSORIES

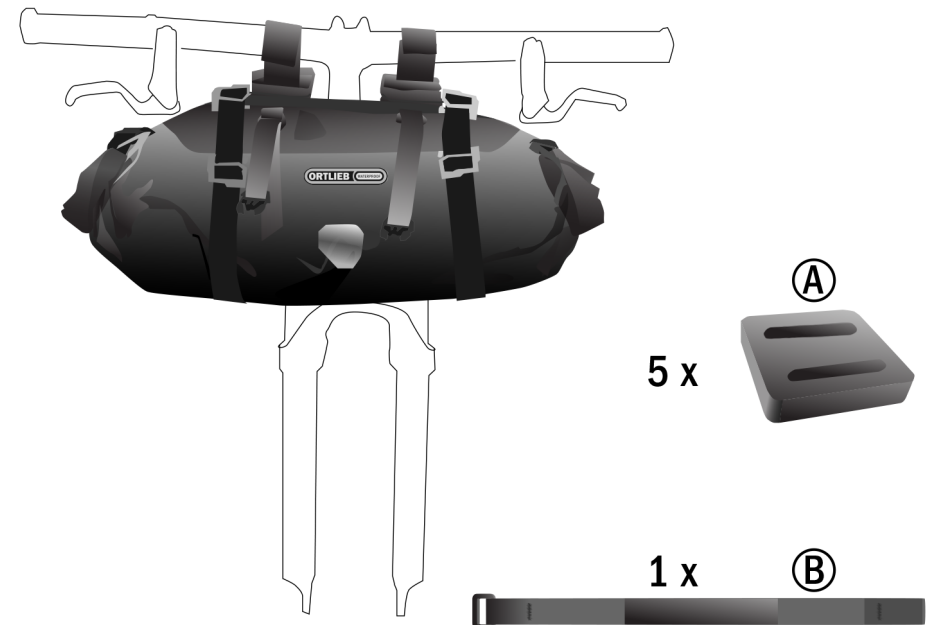


Accessory-Pack  
= Art. # F9951

## Handlebar-Pack 9 L



- |    |                          |    |                           |
|----|--------------------------|----|---------------------------|
| DE | MONTAGEANWEISUNG:        | ES | INSTRUCCIONES DE MONTAJE: |
| EN | ASSEMBLY INSTRUCTIONS:   | SE | MONTERINGSANVISNING:      |
| FR | INSTRUCTIONS DE MONTAGE: | NO | MONTERINGSANVISNING:      |
| IT | ISTRUZIONI DI MONTAGGIO: | FI | ASENNUSOHJEET:            |
| NL | MONTAGE HANDLEIDING:     | PL | INSTRUKCJA MONTAZU:       |
| DK | MONTERINGSVEJLEDNING:    | JP | 換気の良い所に保管してください。          |

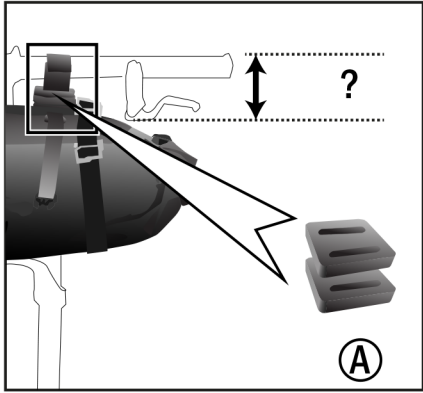


WEITERE INFORMATIONEN:  
MORE INFORMATION:

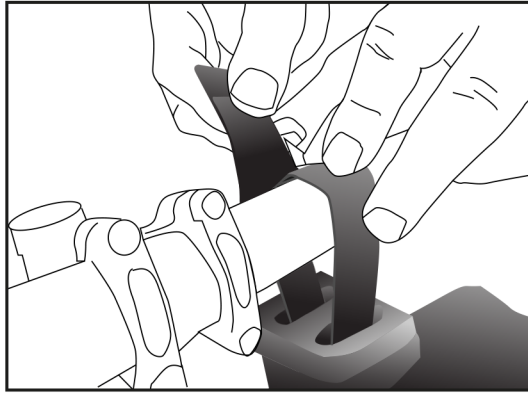
<https://www.youtube.com/watch?v=CuMWYUYhSoM>



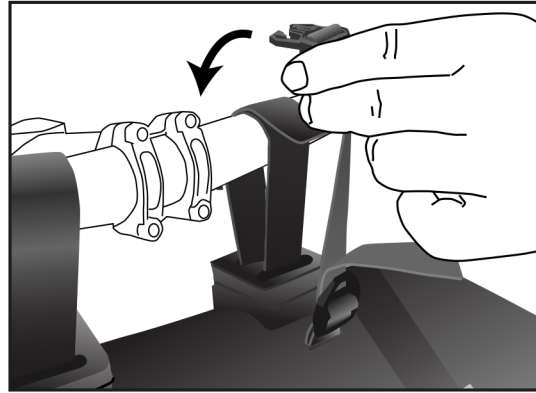
1



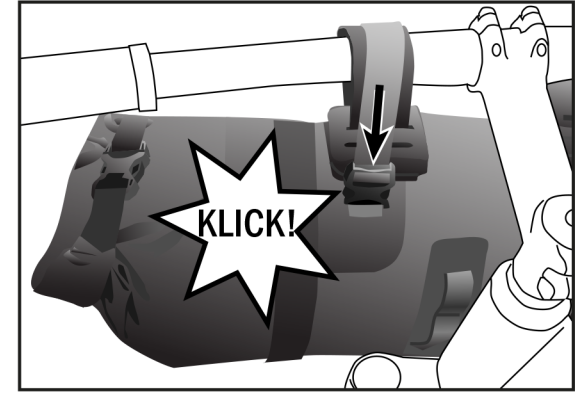
2



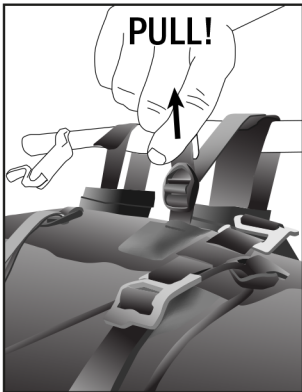
3



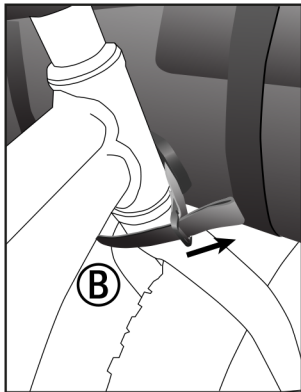
4



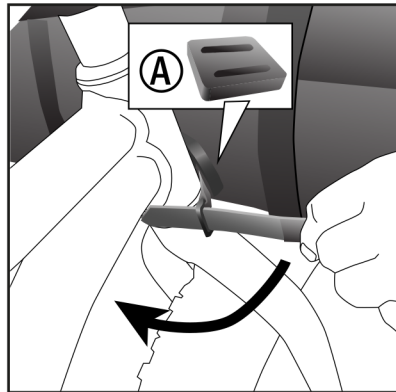
5



6



7



8

