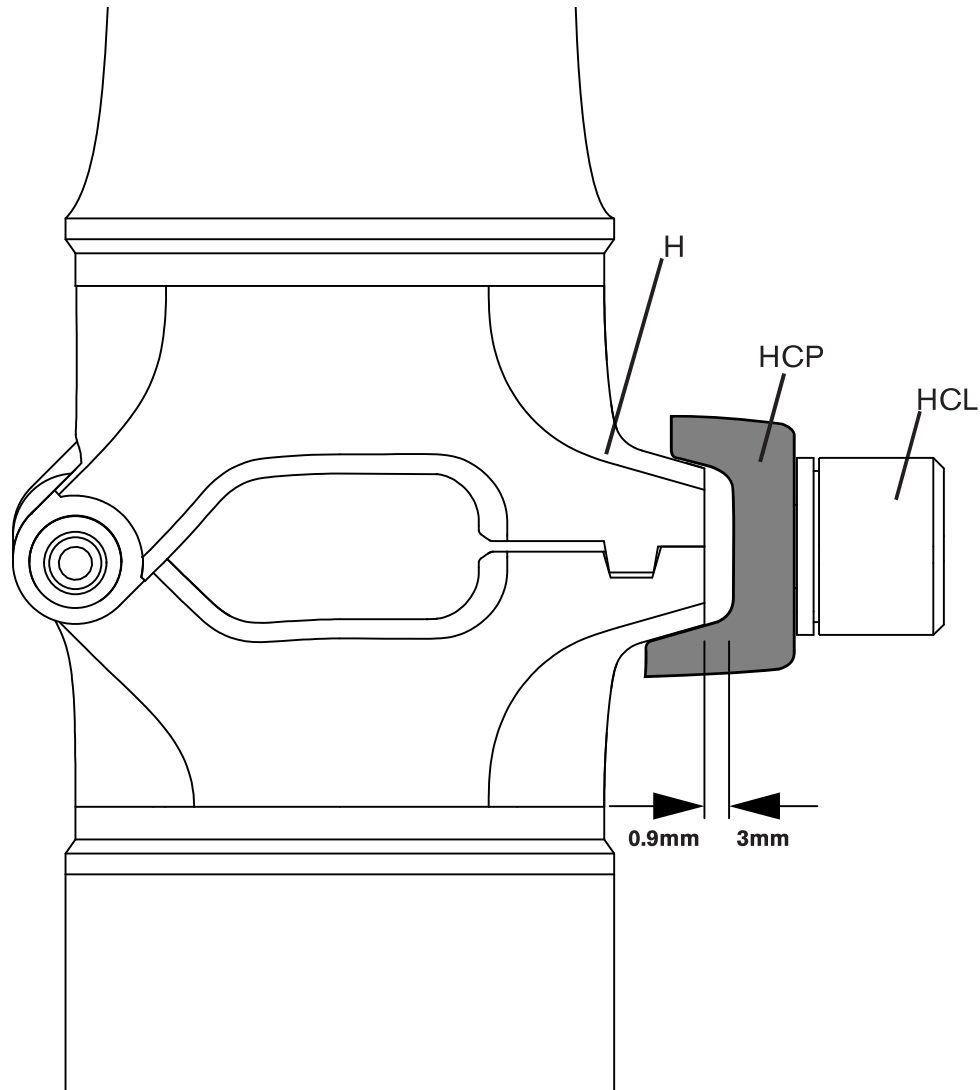


## SELF ALIGNING HINGE CLAMP FOR T LINE

### IMPORTANT INFORMATION

- Hinge clamp plates have a finite lifespan and should be replaced periodically
- If the plate is worn or damaged it could reduce the effectiveness of the hinge clamping
- As with all aluminium components, we recommend replacing the hinge clamp plate after 5000 miles of use
- If you are unsure of the correct fitting process please consult your Brompton dealer or Brompton Customer Service [support@brompton.co.uk](mailto:support@brompton.co.uk)

Fig. 1



### WARNING

The gap between the hinge H and the hinge clamp plate HCP (fig. 1), when the hinge clamp lever HCL is tightened on both the handlebar hinge and the mainframe hinge, should measure between 0.90 mm to 3.00 mm. These parts should be checked regularly and replaced when necessary.

If the gap between the hinge and hinge clamp plate is less than 0.90 mm (fig. 1), replace the hinge clamp plate. The bike should not be ridden if there is no gap between the hinge clamp plate and the hinge, until the plate is replaced.

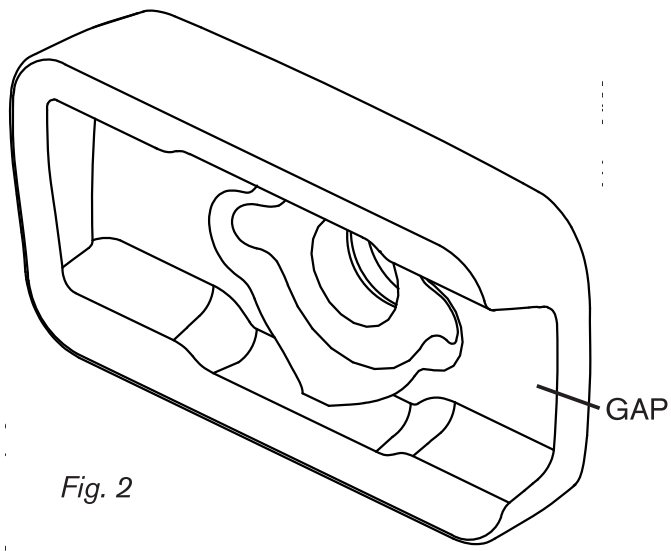


Fig. 2

### ANTI-ROTATION HINGLE CLAMP PLATE ORIENTATION

The hinge clamp plate HCP has an anti-rotation feature (fig. 2); one side of the plate has a gap, whilst the other side does not. This makes sure that the plate does not rotate whilst the hinge clamp is being loosened or tightened.

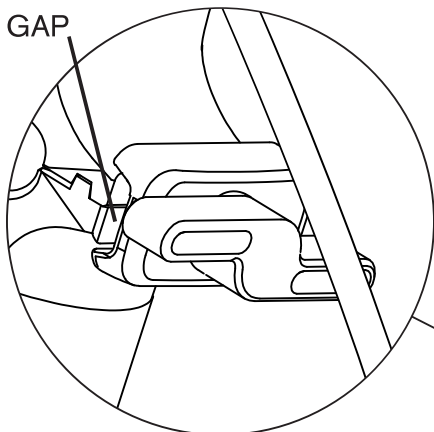


Fig. 3

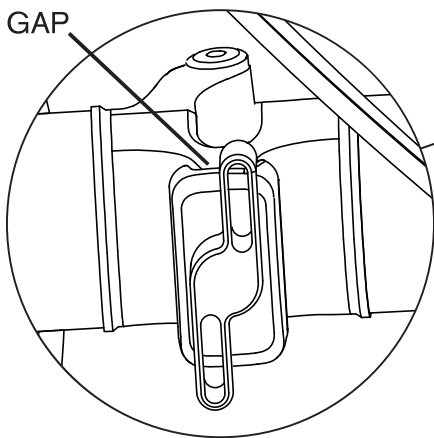
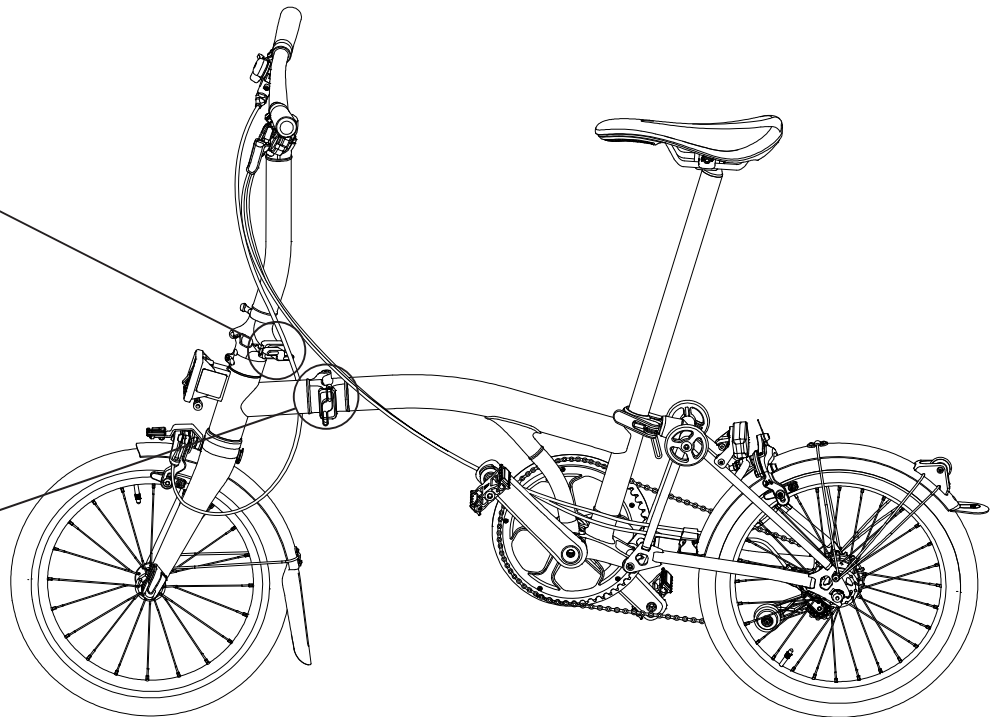
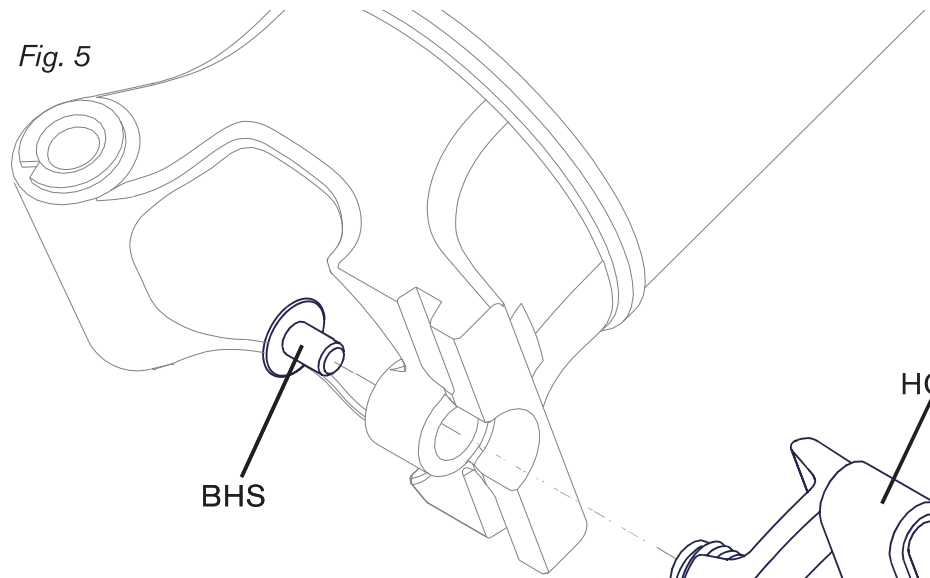


Fig. 4



Ensure that both HCPs are in the correct orientation. For the handlebar and front frame hinge (fig. 3), the HCP gap is facing towards the front of the bike. For the front frame and main frame hinge (fig. 4), the HCP gap is facing upwards.

Fig. 5

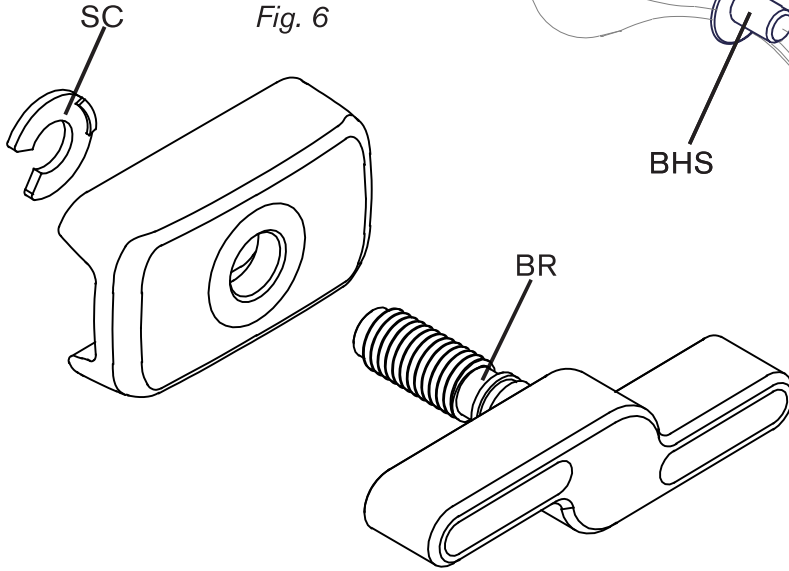


BHS

HCL

HCP

Fig. 6



SC

BR

## REMOVING

To remove the HCL and HCP. Uncrew the button head screw BHS from the hinge clamp bolt. (fig. 5) This will enable you to uncrew the HCL from the hinge.

Remove the spring clip SC to replace the hinge clamp plate. Once the hinge clamp plate is replaced, refit the spring clip. the spring clip should sit in the bolt recess BR (fig. 6).

## FITTING

Reassemble with the new plate as shown and measure again; in the vast majority of cases this will resolve the problem.