

DYNAMO LIGHTING

Complete sets:

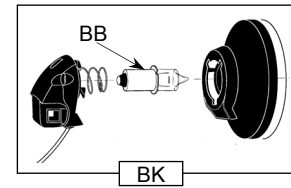
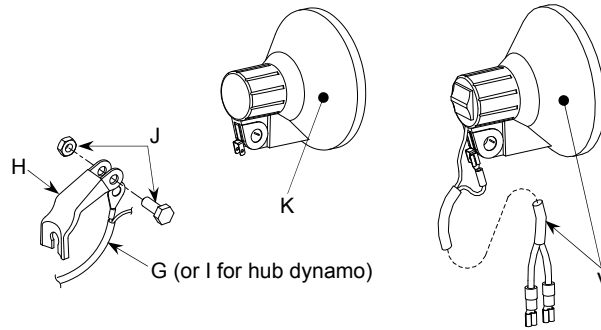
The rear lamp includes a capacitor and stays on when the bike stops. For complete sets, the front halogen lamp includes a reflector.

F to K + P to S + T + U + cable-ties = QVDYNOSET-E

G to S + cable-ties = QVDYNOSET-L

A to K + cable-ties = QVDYNOSET-R

H to J + P to R + V to X + cable-ties = QVHUBDYNSSET



Sundries:

G + S + tie-wraps = QVDWLOOM-NR

G + C + tie-wraps = QVDWLOOM-R

I + tie-wraps = QVDWLOOMHDYN

BB = QVBULBFH

BB (non-halogen, not shown) = QVBULBFI

ZB = QVBULBR

Front lamps & bracket:

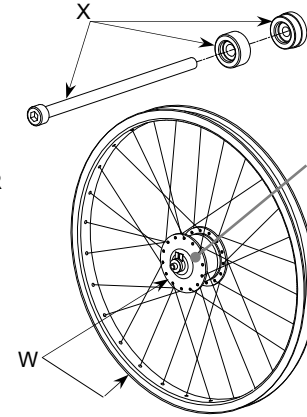
BK (compact) = QVDYNFLAMH

K (with reflector) = QVDYNFLAMHR

V (switched) = QVDYNFLAMH-SW

K (non-halogen) = QVDYNFLAMI

H + J = QVBKTFLAMDYN



Dynamos and fixings:

N = QVDYNO-LH

F = QVDYNO-RH

W = QFWHUBDYNS

Y = QHUBFDYN

T + U = QVBKTDYN-E

L = QVMGSRDYN

D = QVRCSTDYN

BD = QVRCSTDYN-SL

X = QFWHUBDYN-NB

Rear lamps:

A or P = QVDYNRLAMCAP

ZA = QVDYNRLAMO

R = QVBKTRLAM-NR

