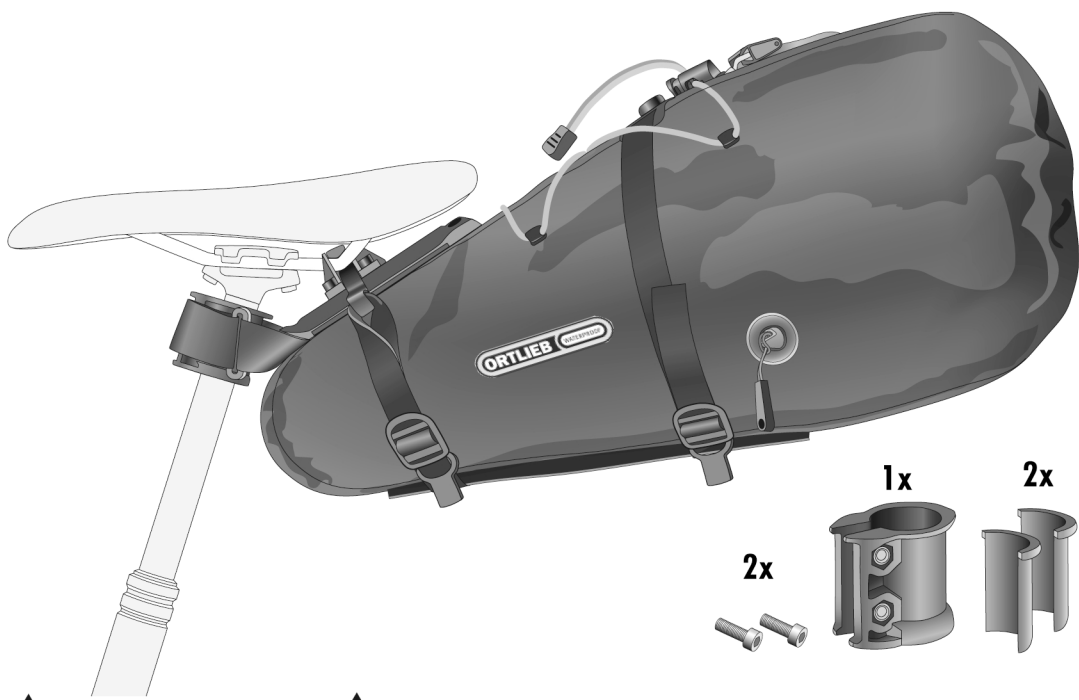


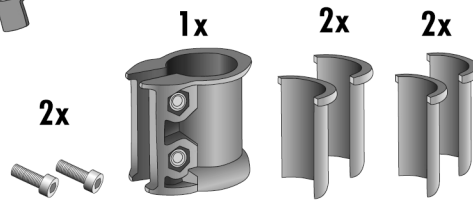
# SEAT-PACK QR



- DE MONTAGEANLEITUNG
- GB ASSEMBLY INSTRUCTIONS
- FR INSTRUCTIONS DE MONTAGE
- IT ISTRUZIONI DI MONTAGGIO
- NL MONTAGE HANDLEIDING
- DK MONTERINGSVEJLEDNING
- ES INSTRUCCIONES DE MONTAJE
- SE MONTERINGSANVISNING
- NO MONTERINGSANVISNING
- FI ASENNUSOHJEET
- PL INSTRUKCJA MONTAZU
- JP 装着方法

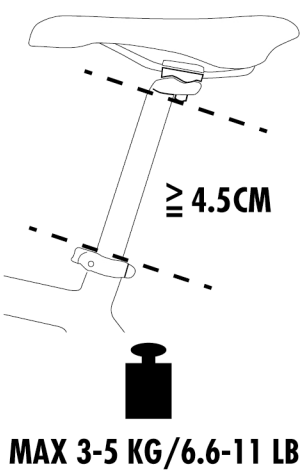


VIDEO

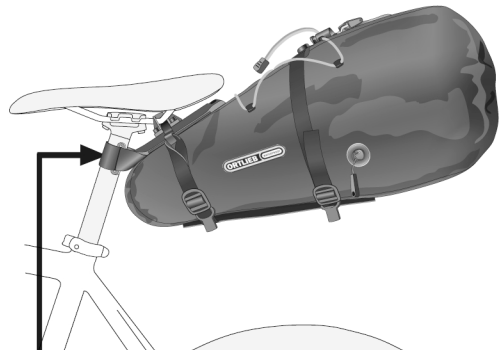
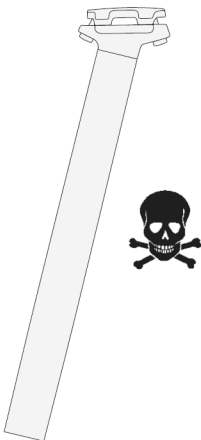


**WITHOUT DROPPER POST**

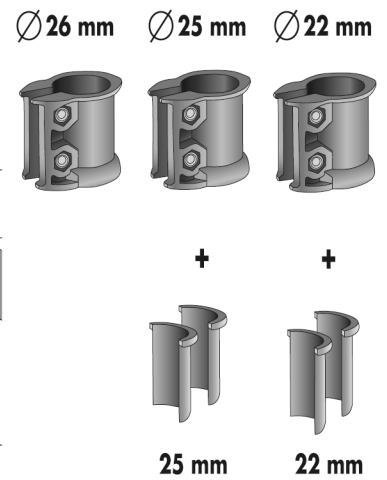
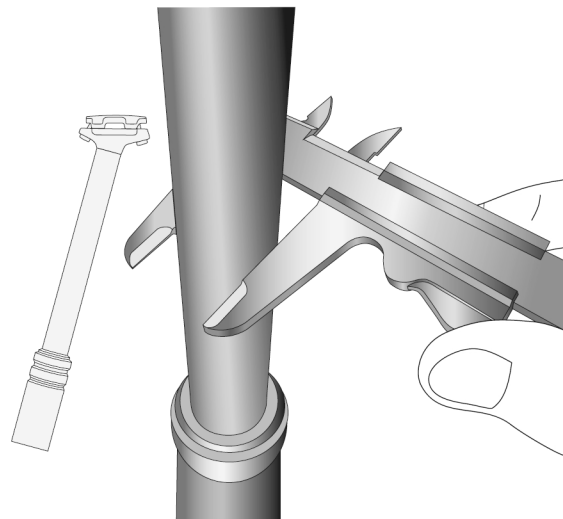
**1.1 ONLY FOR DROPPER POST (1.1 - 1.5)**



**NO CARBON**

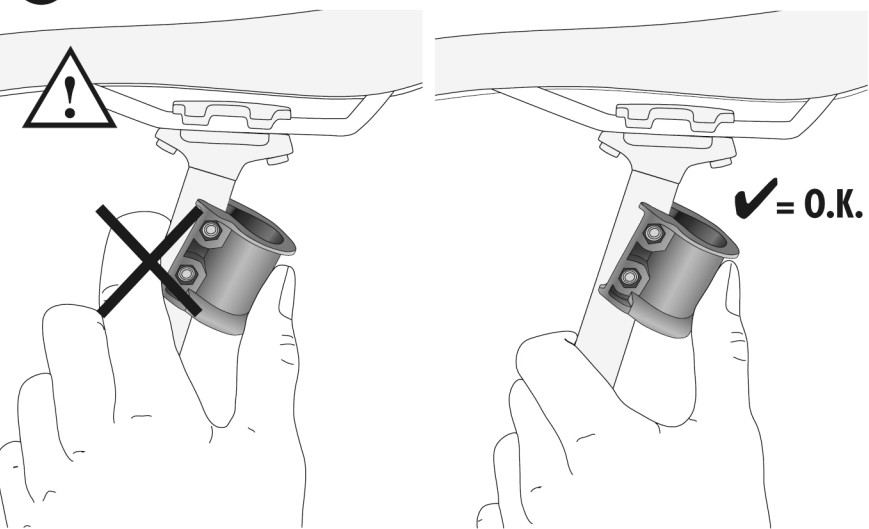


UM KRATZER ZU VERMEIDEN, BENUTZE RAHMENSCHUTZFOLIE AN DEN KONTAKTSTELLEN (nicht beinhaltet)  
TO AVOID SCRATCHES, USE ADHESIVE FRAME PROTECTION AT CONTACT POINTS (not included)

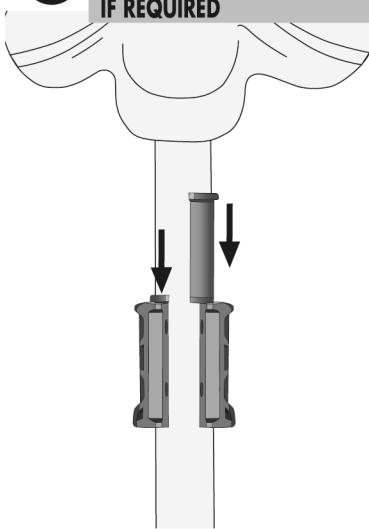


**MAX 3-5 KG / 6.6-11 LB**

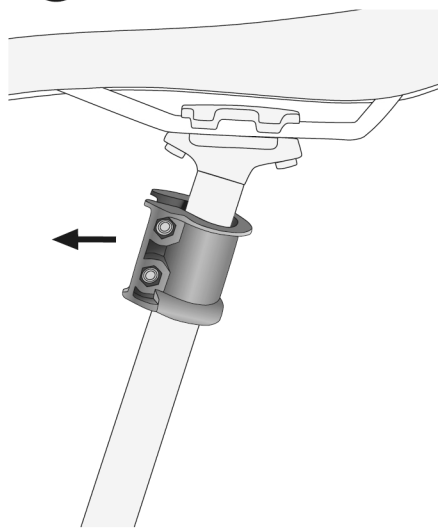
**1.2 PINCH POINT**



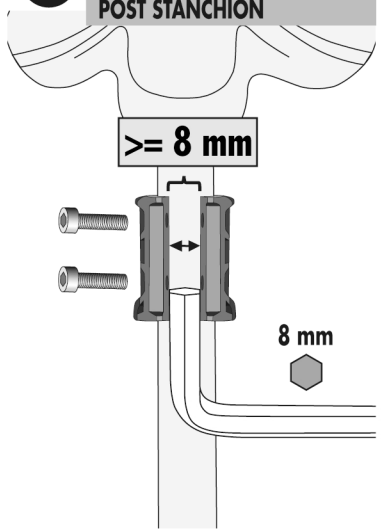
**1.3 INSTALL SPACER, IF REQUIRED**



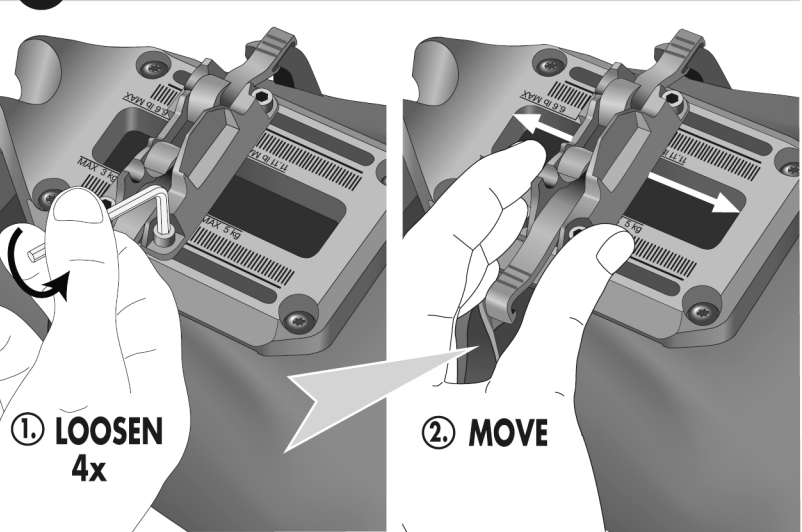
**1.4 ALIGN WITH DROPPER POST**



**1.5 TIGHTEN CLAMP TO DROPPER POST STANCHION**



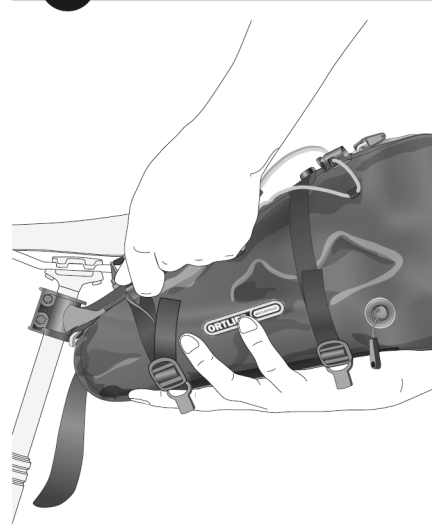
**2.1 LOOSEN SCREWS - ADJUST CLAMP**



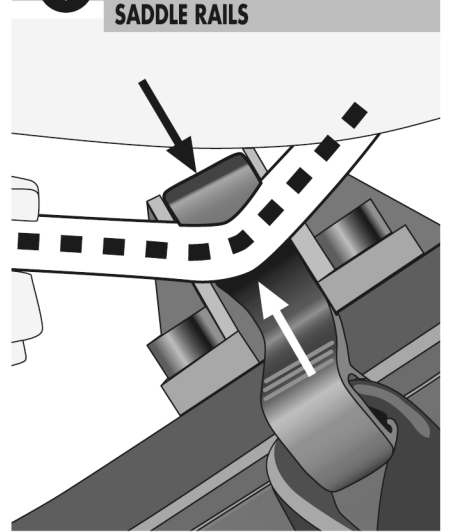
**2.2 ADJUST WEBBING TO LONGEST POSITION**



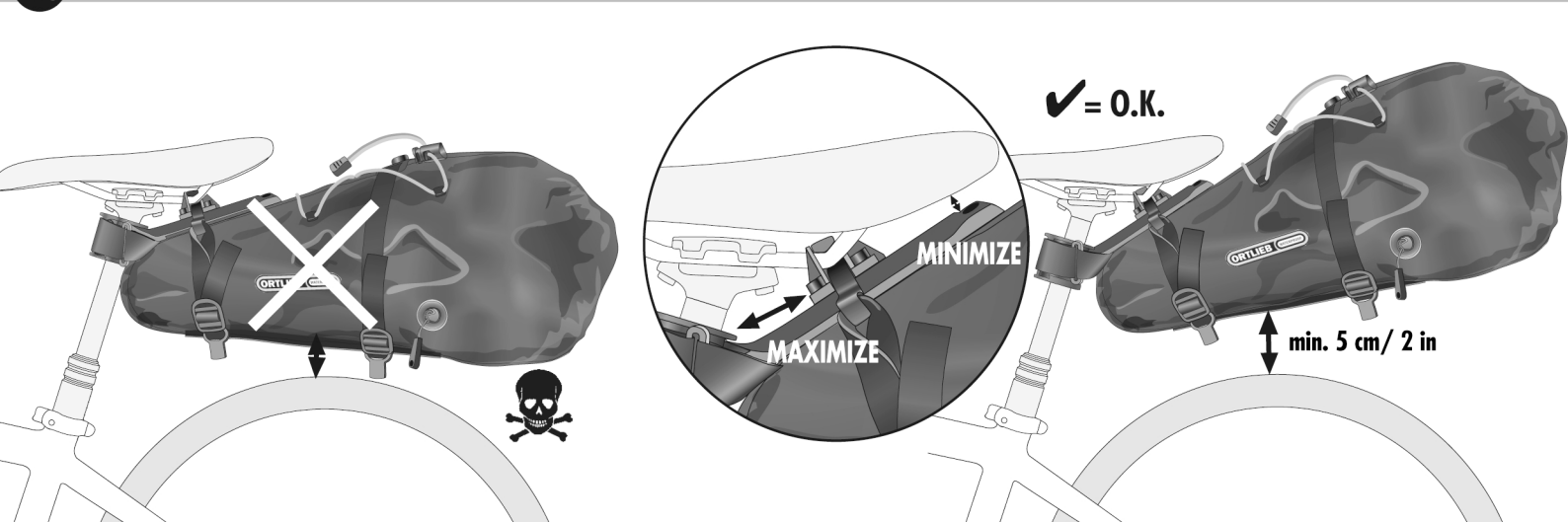
**2.3 PRESS ON TO SADDLE RAILS**



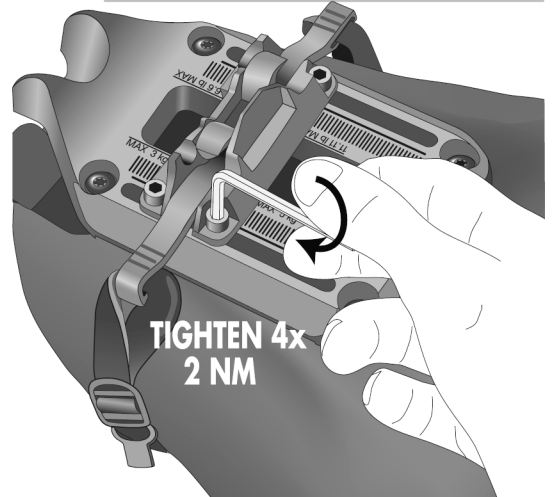
**2.4 HOOK ONTO BEND OF SADDLE RAILS**



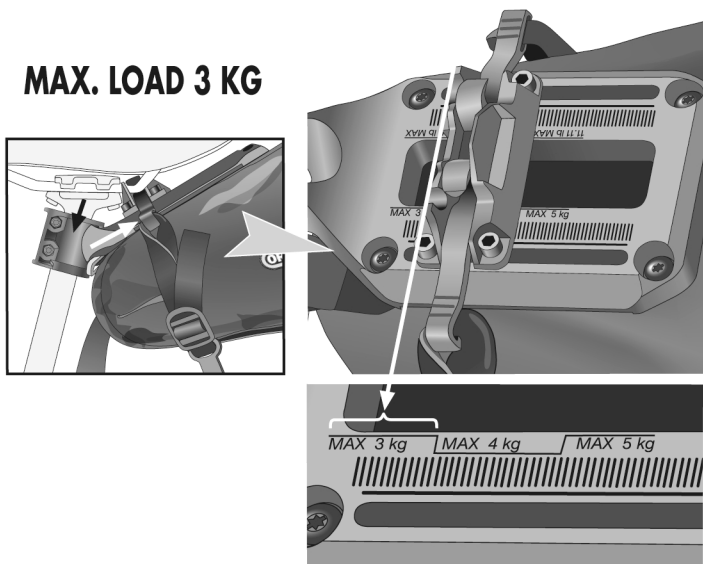
**2.5 ADJUST MOUNT TO OPTIMAL POSITION**



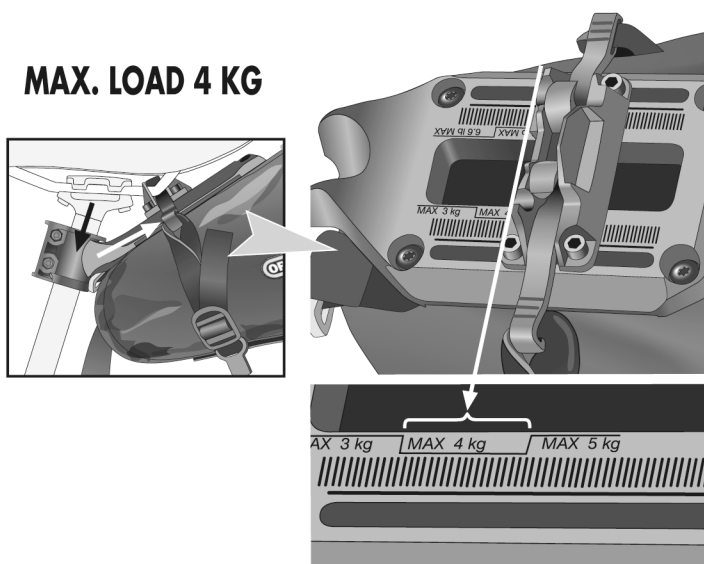
**2.6 CAREFULLY REMOVE BAG AND TIGHTEN MOUNTING SCREWS**



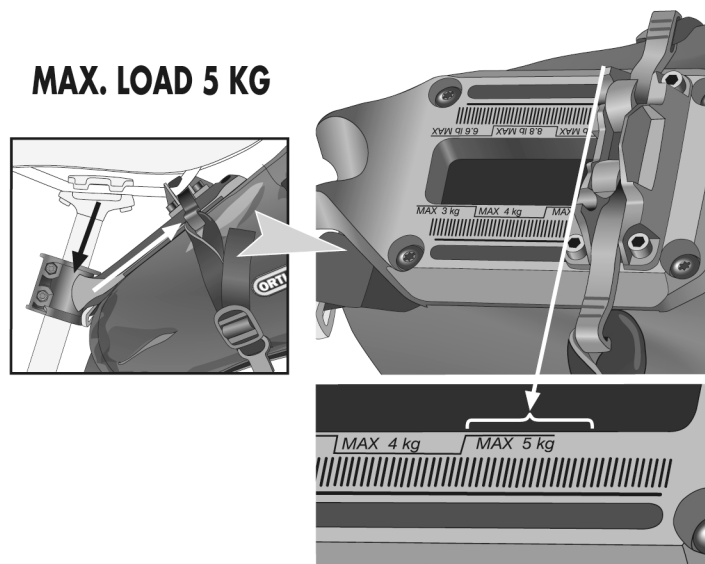
MAX. LOAD 3 KG



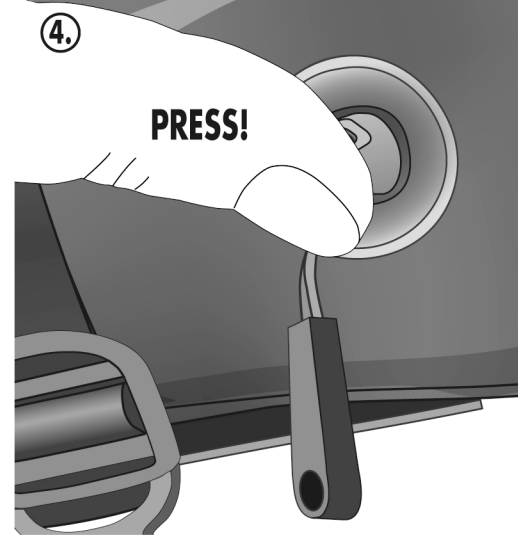
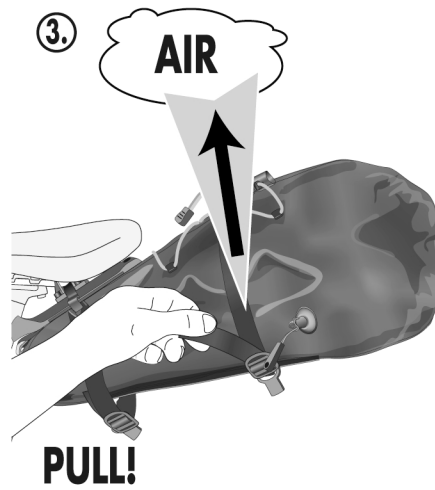
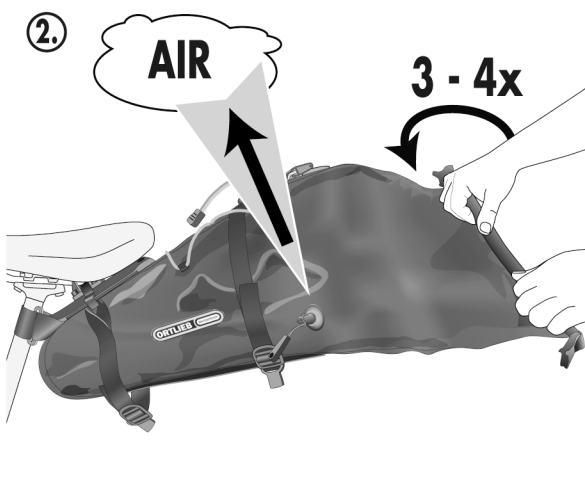
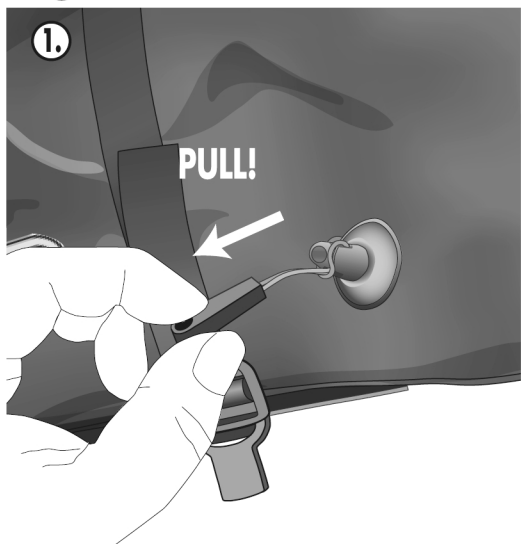
MAX. LOAD 4 KG



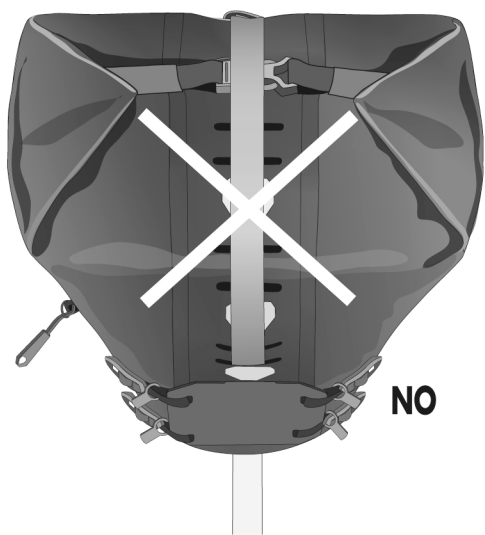
MAX. LOAD 5 KG



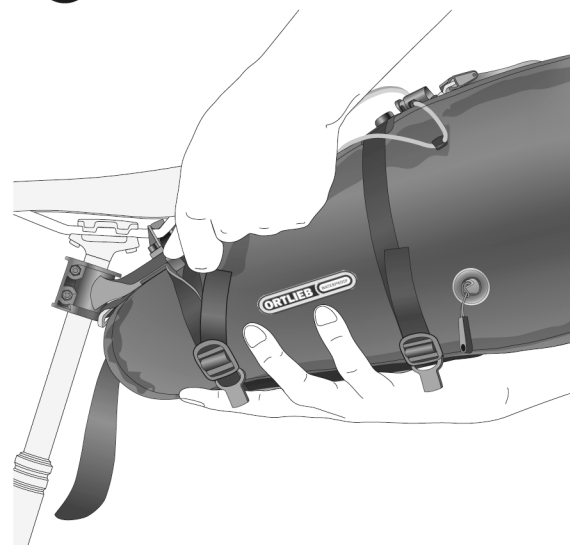
3.0



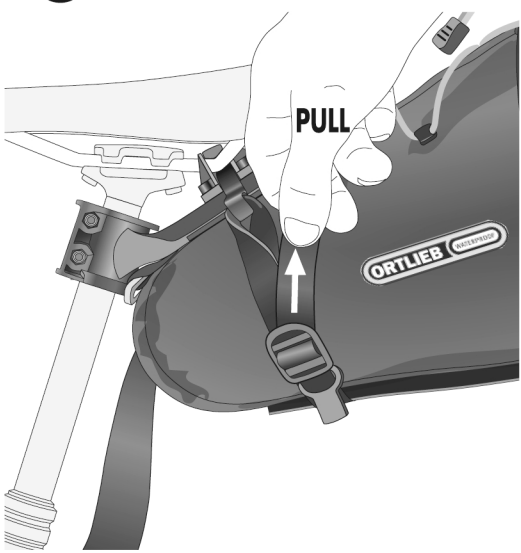
4.0



5.1



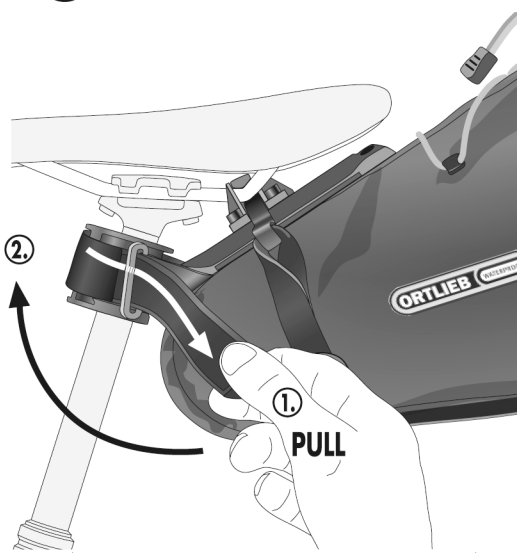
5.2 TIGHTEN COMPRESSION STRAPS



5.3



5.4



5.5 FOR STANDARD SEATPOST

