

ULTIMATE SIX MODELS (CLASSIC, PLUS, FREE, PRO)

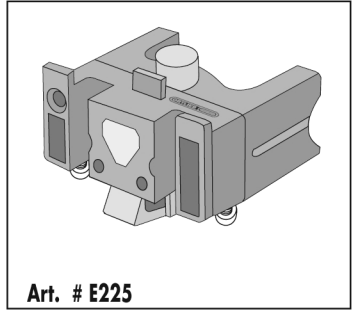


| | | |
|----|--------------------------|-----------------------|
| DE | MONTAGEANLEITUNG | LENKERTASCHE |
| GB | ASSEMBLY INSTRUCTIONS | HANDLEBAR BAG |
| FR | INSTRUCTIONS DE MONTAGE | SACOCHE POUR GUIDON |
| IT | ISTRUZIONI DI MONTAGGIO | BORSA DA MANUBRIO |
| NL | MONTAGE HANDLEIDING | STUURTAS |
| DK | MONTERINGSVEJLEDNING | STYRTASKE |
| ES | INSTRUCCIONES DE MONTAJE | BOLSA PARA MANILLAR |
| SE | MONTERINGS ANVISNING | STYRSTÅNGS VÅSKA |
| NO | MONTERINGS ANVISNING | STYREVESKE |
| FI | ASENNUSOHJEET | TANKOLAUKKU |
| PL | INSTRUKCJA MONTAZU | TOREBKA NA KIEROWNICE |
| JP | 装着方法 | ハンドルバーバッグ |

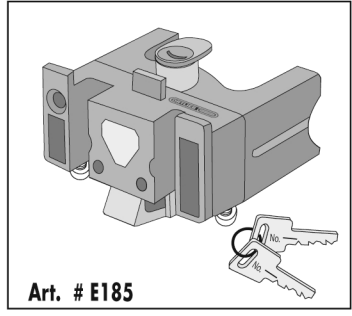


! MOUNTING-SET REQUIRED

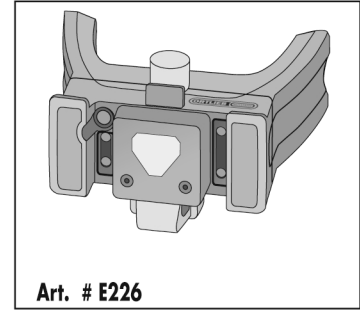
HANDLEBAR MOUNTING-SET



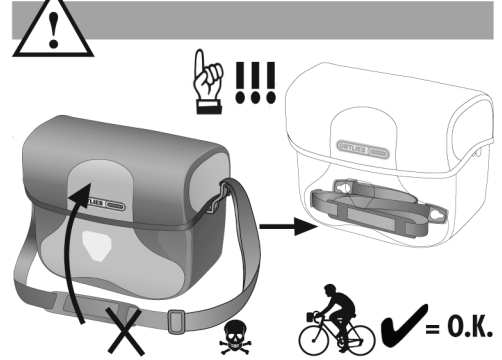
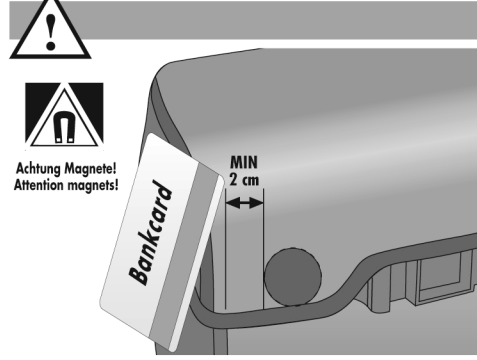
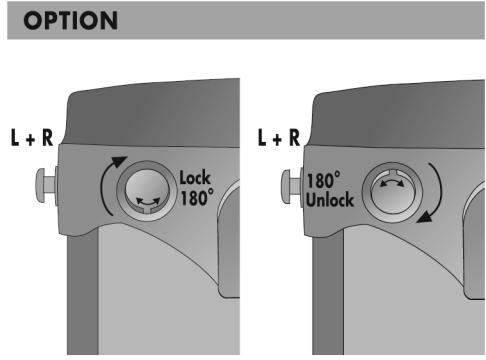
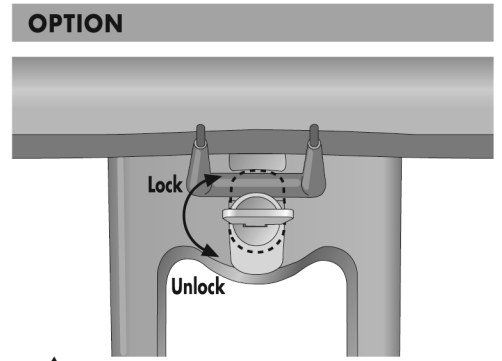
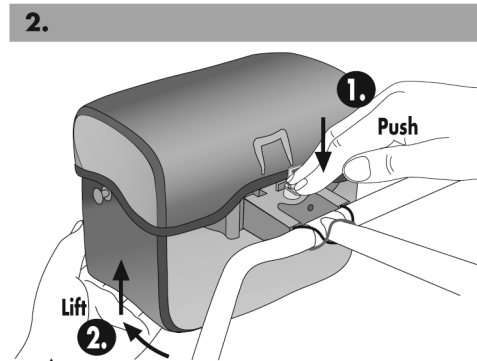
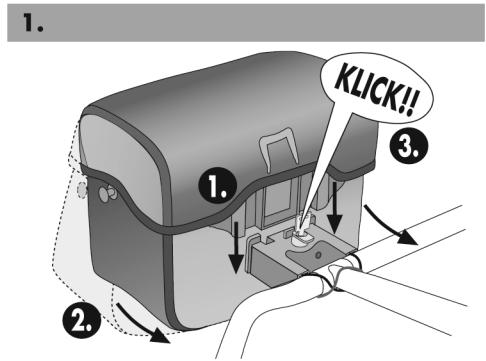
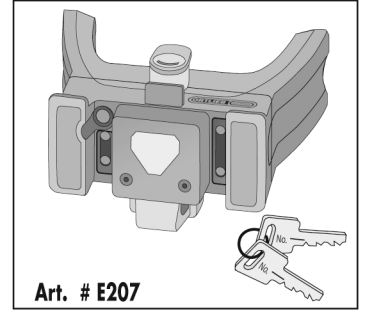
HANDLEBAR MOUNTING-SET WITH LOCK



HANDLEBAR MOUNTING-SET E-BIKE



HANDLEBAR MOUNTING-SET E-BIKE WITH LOCK



! max. 5 kg max. 5 kg

