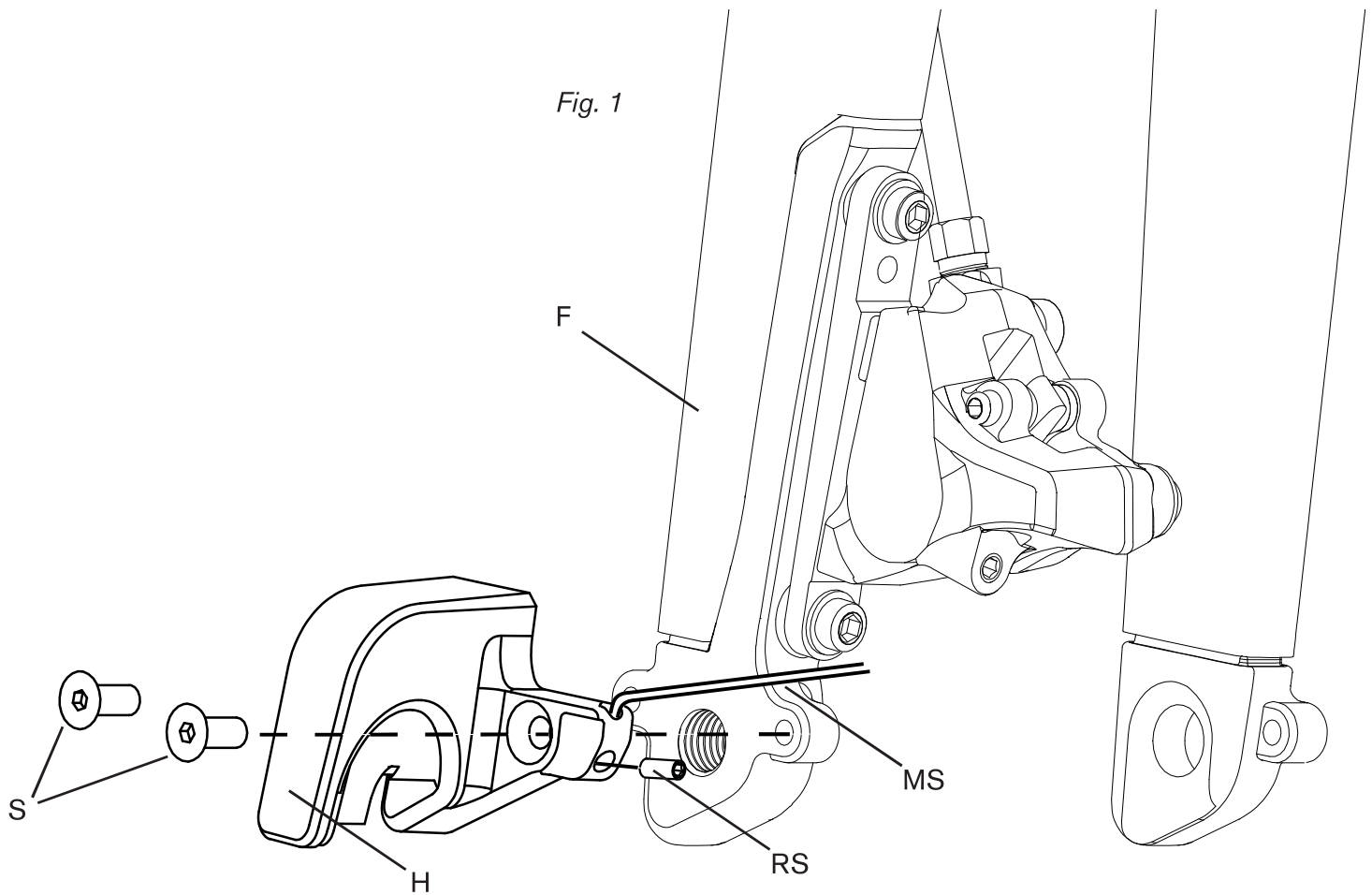


HOOK - G LINE

IMPORTANT INFORMATION

- It is vital that you follow the correct fitting procedure and tighten the fixing bolt correctly
- If you are unsure of the correct fitting process please consult your Brompton dealer or Brompton Customer Service support@brompton.co.uk



REMOVAL/FITTING

To remove the hook, unscrew the recess screw RS holding the mudguard stay MS in place. The two screws S securing the hook to the fork F can now be removed.

To fit the hook, place the hook in position as shown, aligning the two holes in the hook to the mounting holes in the fork. Fit both screws and tighten to 2Nm. Fit the mudguard stay and secure it with the recess screw RS. Tighten to 0.3Nm