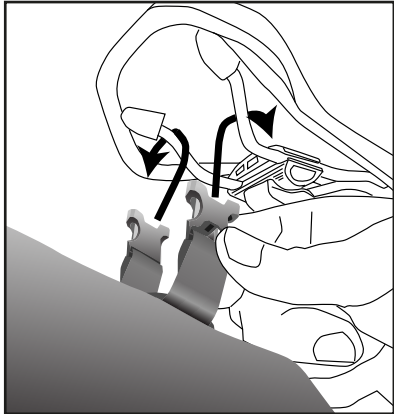
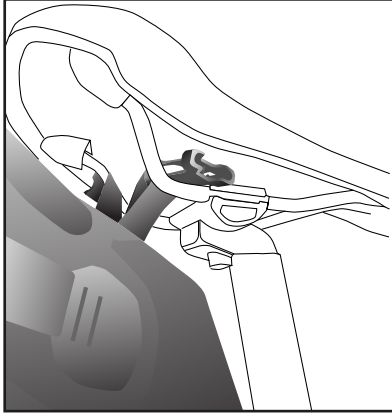


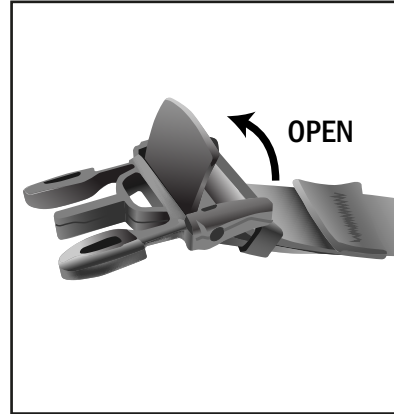
1.1



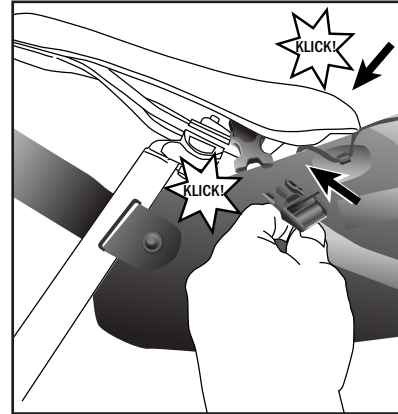
1.2



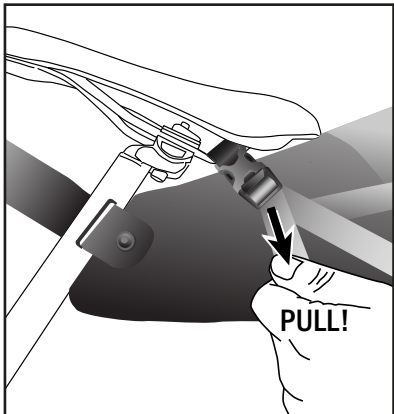
1.3



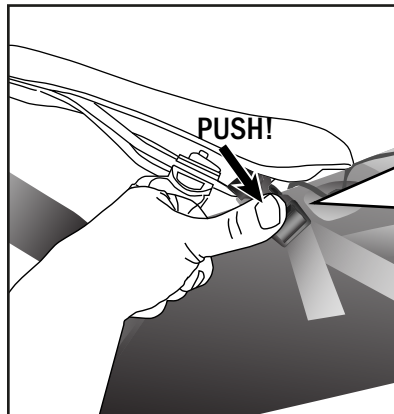
1.4



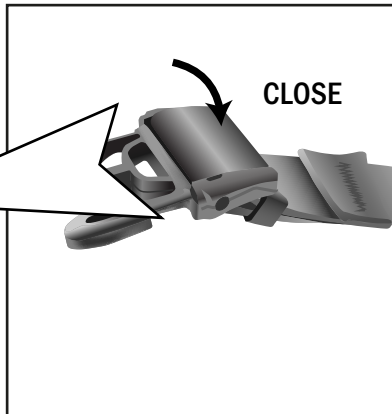
1.5



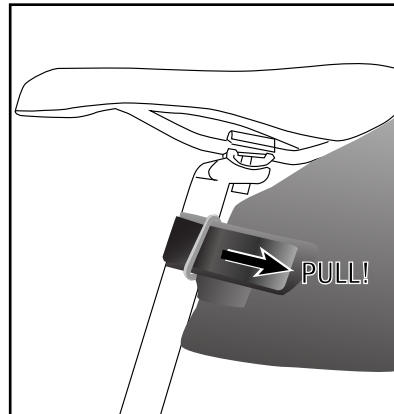
1.6



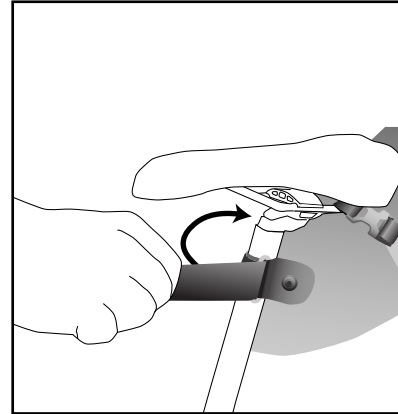
1.7



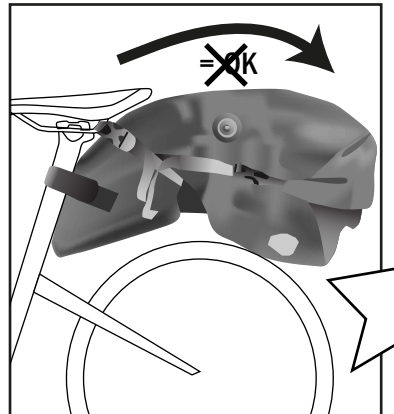
1.8



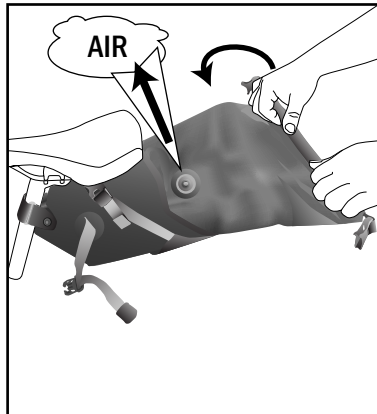
1.9



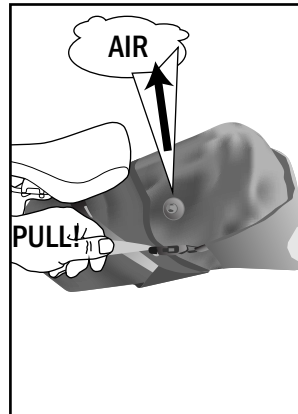
2.1



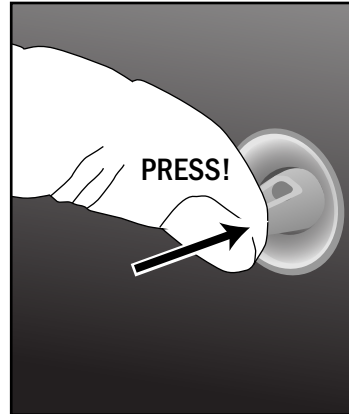
2.2



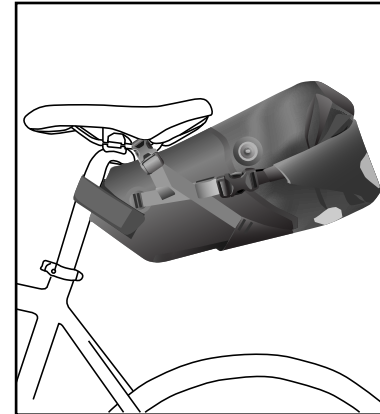
2.3

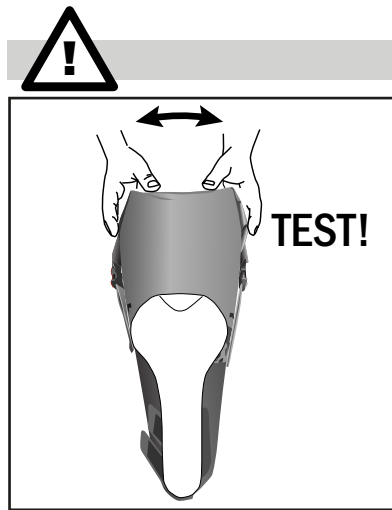
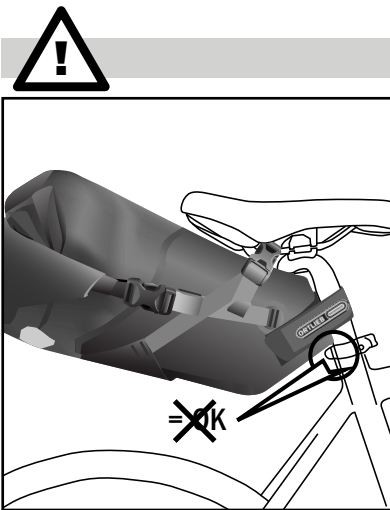


2.4



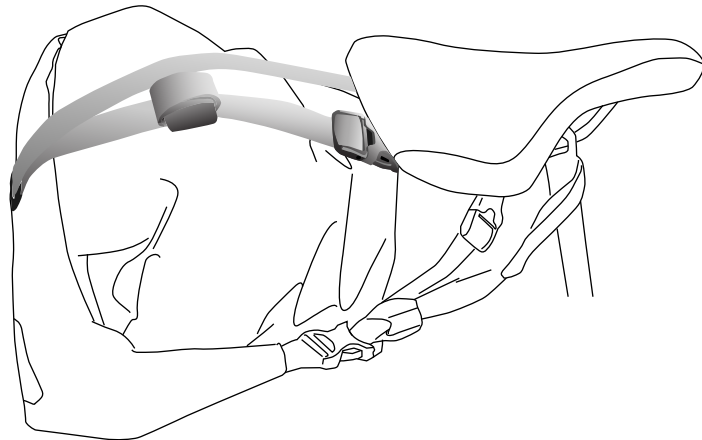
2.5





## ACCESSORIES

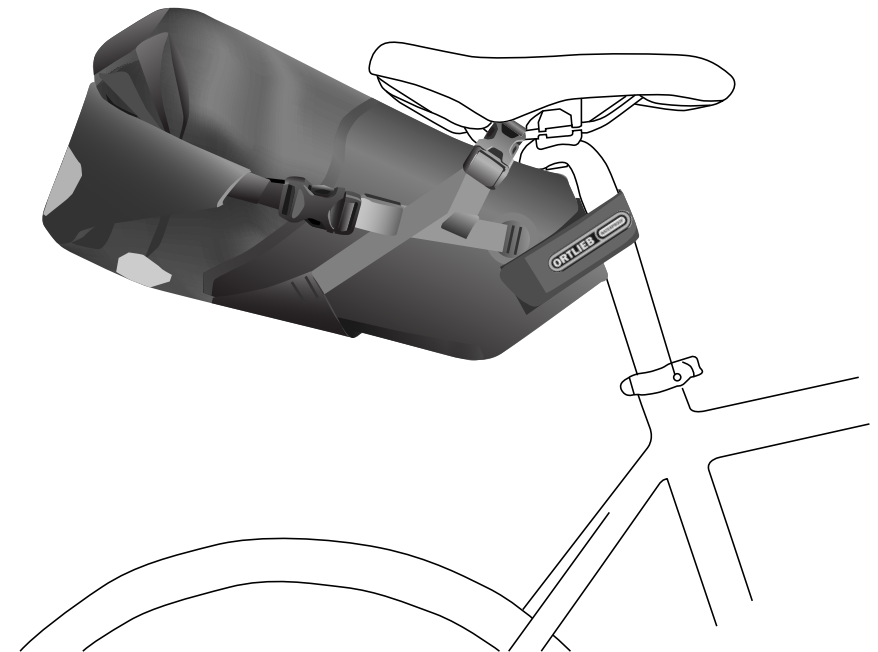
### Support Strap for Seat-Pack = Art. # E216



## Seat-Pack M

**ORTLIEB** WATERPROOF

- |           |                          |           |                           |
|-----------|--------------------------|-----------|---------------------------|
| <b>DE</b> | MONTAGEANWEISUNG:        | <b>ES</b> | INSTRUCCIONES DE MONTAJE: |
| <b>EN</b> | ASSEMBLY INSTRUCTIONS:   | <b>SE</b> | MONTERINGSANVISNING:      |
| <b>FR</b> | INSTRUCTIONS DE MONTAGE: | <b>NO</b> | MONTERINGSANVISNING:      |
| <b>IT</b> | ISTRUZIONI DI MONTAGGIO: | <b>FI</b> | ASENNUSOHJEET:            |
| <b>NL</b> | MONTAGE HANDLEIDING:     | <b>PL</b> | INSTRUKCJA MONTAZU:       |
| <b>DK</b> | MONTERINGSVEJLEDNING:    | <b>JP</b> | 換気の良い所に保管してください。          |



WEITERE INFORMATIONEN:  
MORE INFORMATION:

<https://www.youtube.com/watch?v=CuMWYUYhSoM>

