

QL1-SYSTEM

DE MONTAGEANLEITUNG:
GB ASSEMBLY INSTRUCTIONS:
FR INSTRUCTIONS DE MONTAGE:

IT ISTRUZIONI DI MONTAGGIO:
NL MONTAGE HANDLEIDING:
DK MONTERINGSVEJLEDNING:

ES INSTRUCCIONES DE MONTAJE:
SE MONTERINGS ANVISNING:
NO MONTERINGS ANVISNING:

FI ASENNUSOHJEET:
PL INSTRUKCJA MONTAZU:
JP 換気の良い所に保管してください。

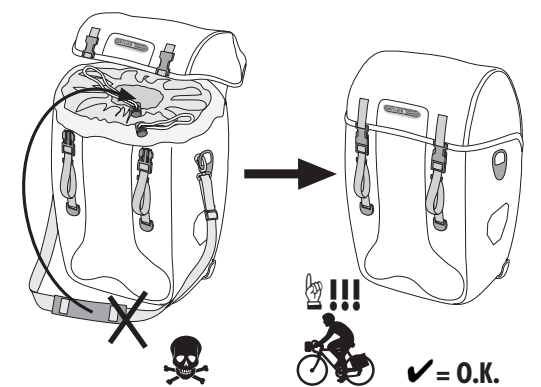


QL1 - MODELS

Bike-Packer Sport-Packer incl.

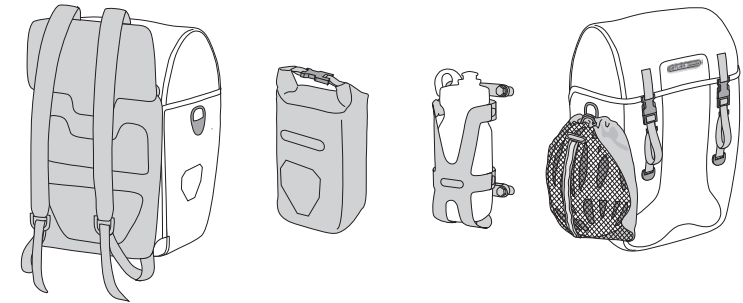


! WARNING



ACCESSOIRES

= + Art. #F34 = + Art. #F915 = + Art. #F9101 = + Art. #F9121

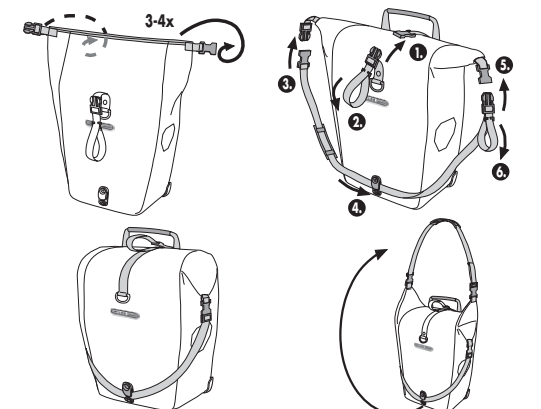


QL1 - MODELS

Back-Roller Sport-Roller incl.

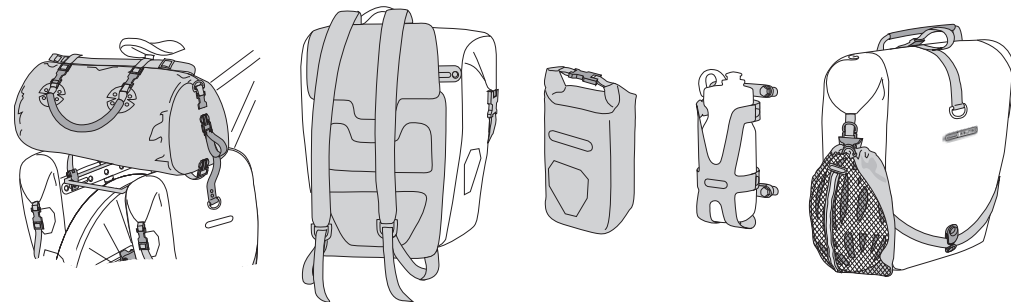


! WARNING



ACCESSOIRES

= + Rack-Pack, Size S + M = + Art. #F34 = + Art. #F915 = + Art. #F9101 = + Art. #F9121

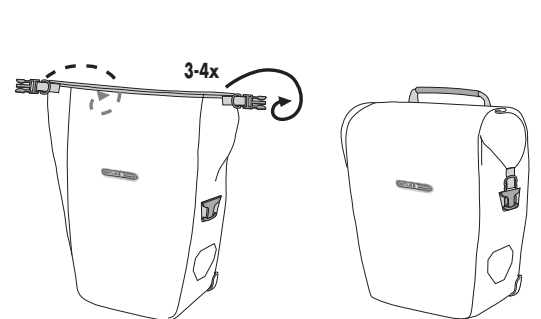


QL1 - MODELS

Back-Roller City Sport-Roller City



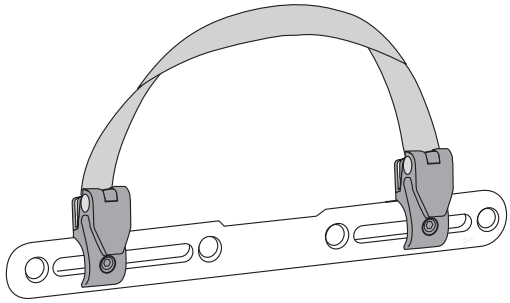
! WARNING



ACCESSOIRES

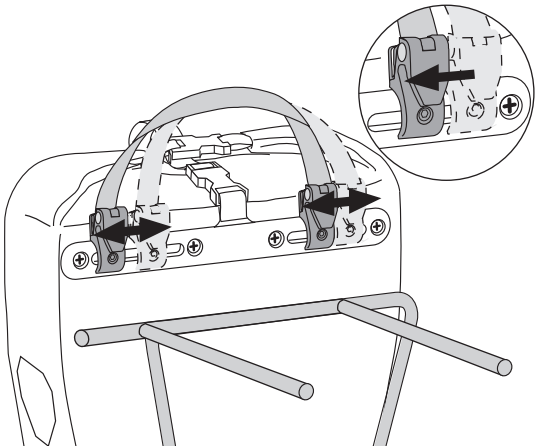
= + E 172 = + Art. #F34



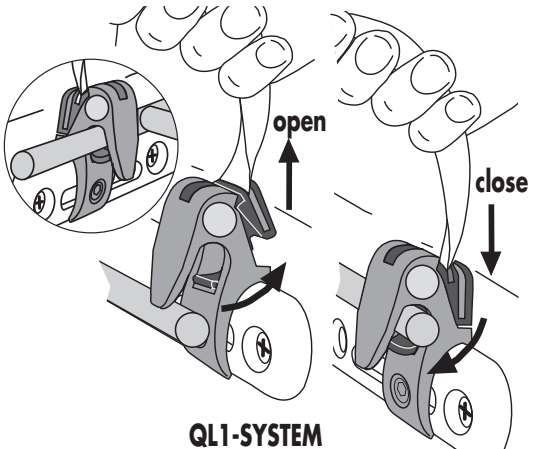


8 = **A** 8 mm 11 = **B** 11 mm

B

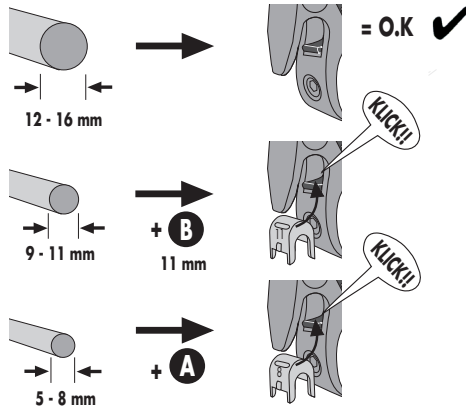


D

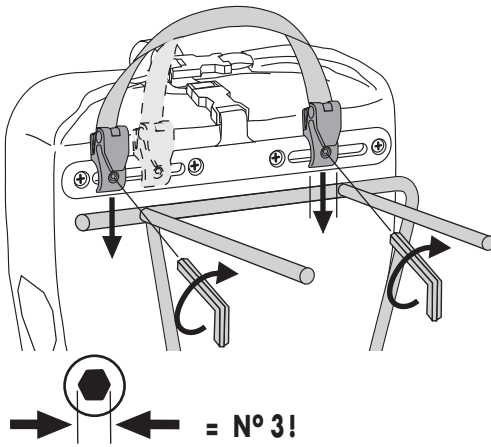


QL1-SYSTEM

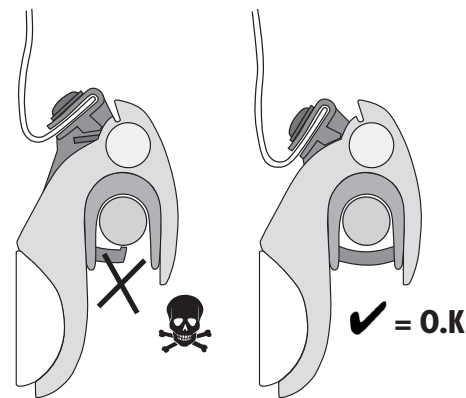
A



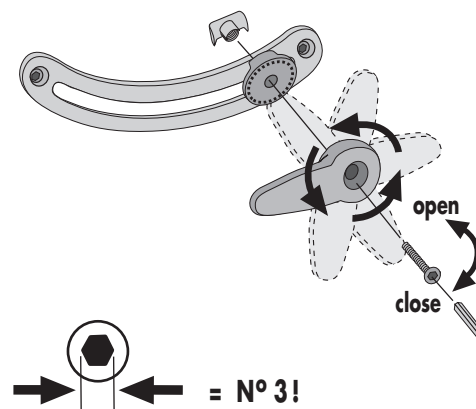
C



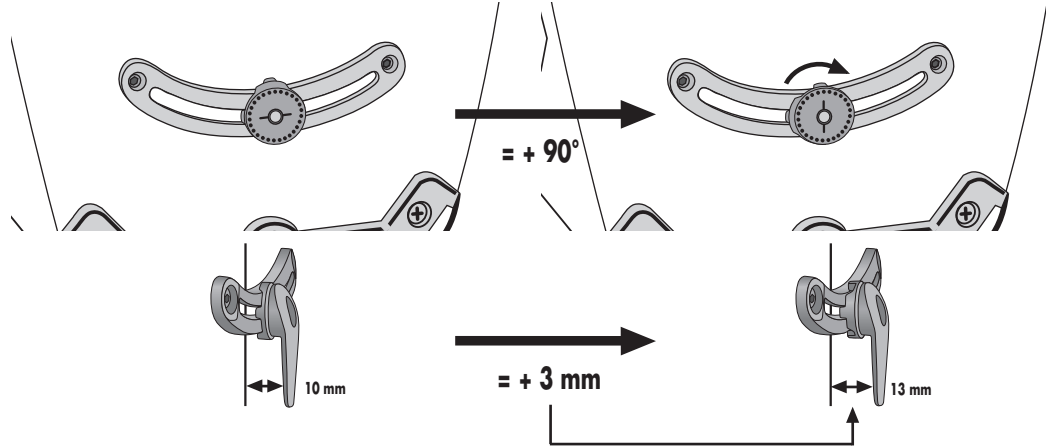
E



F



Option 1



Option 2

